

Operator's Manual



Wall Mount Wet/Dry Vacuum

Model No.

VWMB508 1101

FOR YOUR SAFETY

Read and understand this manual before use.

Keep this manual for future reference.

TABLE OF CONTENTS

SECTION

Warranty	2
Important Safety Instructions	3
Double Insulation Instructions	5
Extension Cords.....	6
Symbols.....	6
Unpacking & Checking Carton Contents.....	7
General Assembly Instructions	8
Dry Vacuum Operation	10
Liquid Vacuum Operation	11
Blower Operation	13
Maintenance	14
Installing & Cleaning Cartridge Filter	15
Installing & Cleaning Foam Wet Filter	15
Resetting the Remote Control	16
Troubleshooting	17
Exploded View	18
Parts List	19

Thank you for purchasing this Vacmaster® wet/dry vacuum cleaner. Feel confident that with Vacmaster® you are obtaining a high quality product engineered for optimal performance. This vacuum is capable of picking up liquids and dry materials.

FOR YOUR SAFETY: CAREFULLY READ AND UNDERSTAND ALL INSTRUCTIONS.

WARRANTY

We take pride in producing a high quality, durable product. This Vacmaster® product carries a limited two (2) year warranty against defects in workmanship and materials from date of purchase under normal household use. If product is to be used for commercial, industrial, or rental use, a 90 day limited warranty will apply. Please keep your receipt as proof of purchase. This warranty gives you specific legal rights, which may vary from state to state. For customer service please call 1-866-384-8432.

Not Covered by Warranty:

- Any part that has become inoperative due to misuse, negligence, direct/indirect abuse, accidents, improper maintenance, repairs, or alterations;
- Consumables such as filters and accessories;
- Normal wear and tear of parts and attachments, such as hose, nozzles, or casters;
- Normal deterioration of the exterior finish due to use or exposure;
- Any product where serial number/data label is tampered with or removed;
- Any product purchased from an unauthorized retailer.

IMPORTANT SAFETY INSTRUCTIONS

READ AND UNDERSTAND ALL INSTRUCTIONS BEFORE USING THIS VACUUM.

Read and understand this operator's manual and all labels on the Wet/Dry Vacuum cleaner before operating. Safety is a combination of common sense, staying alert and knowing how your vacuum works. Use this Wet/Dry Vacuum only as described in this manual. To reduce the risk of personal injury or damage to your Wet/Dry Vacuum, use only manufacturer recommended accessories.

For Household Use Only


SAVE THIS MANUAL FOR FUTURE REFERENCE.

When using an electrical appliance, basic precautions should always be followed including the following:

WARNING: TO REDUCE THE RISK OF FIRE, ELECTRIC SHOCK, OR INJURY:

- Do not run vacuum unattended.
- Do not use to pick up flammable or combustible liquids, such as gasoline, or use in areas where they may be present.
- Do not vacuum, or use this Wet/Dry vacuum near flammable liquids, gases, or explosive vapors like gasoline or other fuels, lighter fluids, cleaners, oil-based paints, natural gas, hydrogen, or explosive dusts like coal dust, magnesium dust, grain dust, or gun powder. Sparks inside the motor can ignite flammable vapors or dust.
- To reduce the risk of health hazards from vapors or dusts, do not vacuum toxic materials.
- Do not use or store near hazardous materials.
- Do not pick up anything that is burning or smoking, such as cigarettes, matches, or hot ashes.
- Do not expose to rain. Store indoors.
- If vacuum is not working as it should, has been dropped, damaged, left outdoors, or dropped into water, return it to a service center.
- Do not unplug by pulling on cord. To unplug, grasp the plug, not the cord.
- Do not use with damaged cord or plug.
- Do not pull or carry by cord, use cord as a handle, close a door on cord, or pull cord around sharp edges or corners.
- Keep cord away from heated surfaces.
- Do not run the vacuum over cord.
- Do not handle plug or vacuum with wet hands.
- Do not use without dust bag and/or filters in place.
- Do not allow to be used as a toy. Close attention is necessary when used by or near children.
- To reduce the risk of injury from accidental starting, unplug power cord before changing or cleaning filter.
- Do not leave vacuum when plugged in. Unplug from outlet when not in use and before servicing.
- Turn off all controls before unplugging.
- Unplug before connecting or disconnecting hose, or any other accessories.
- Do not put any object into openings. Do not use with any opening blocked; keep free of dust, lint, hair, and anything that may reduce air flow.
- Keep hair, loose clothing, fingers, and all parts of body away from openings and moving parts.
- Use extra care when cleaning on stairs.
- Use only as described in this manual. Use only manufacturer's recommended attachments.
- This vacuum is provided with double insulation. Use only identical replacement parts. See "DOUBLE INSULATION INSTRUCTIONS".

 **CAUTION:** To reduce the risk of injury from moving parts - Unplug before servicing.

 **WARNING:** To reduce the risk of electric shock - Unplug before cleaning or servicing.

When using as blower:

- Direct air discharge only at work area.
- Do not use Wet/Dry Vac as a sprayer.
- Do not direct air at bystanders.
- Keep children away when blowing.
- Wear safety goggles.

FCC COMPLIANCE:

This device complies with part 15 of the FCC Rules. Operation is subject to the following two conditions:

- This device may not cause harmful interference, and
- This device must accept any interference received, including interference that may cause undesired operation.



CAUTION: Any changes or modifications not expressly approved by the party responsible for compliance could void the user's authority to operate the equipment.

NOTE: This equipment has been tested and found to comply with the limits for a Class B digital device, pursuant to part 15 of the FCC rules. These limits are designed to provide reasonable protection against harmful interference in a residential installation.

This equipment generates, uses and can radiate radio frequency energy and, if not installed and used in accordance with the instructions, may cause harmful interference to radio communications. However, there is no guarantee that interference will not occur in a particular installation.

If this equipment does cause harmful interference to radio or television reception, which can be determined by turning the equipment off and on, the user is encouraged to try to correct the interference by one or more of the following measures:

- Reorient or relocate the receiving antenna.
- Increase the separation between the equipment and receiver.
- Connect the equipment into an outlet on a circuit different from that to which the receiver is connected.
- Consult the dealer or an experienced radio/TV technician for help.

SAVE THESE INSTRUCTIONS

DOUBLE INSULATION INSTRUCTIONS

This Wet/Dry Vacuum is double-insulated, eliminating the need for a separate grounding system. Use only identical replacement parts. Read the instructions for Servicing Double-Insulated Wet/Dry Vacuum before servicing. Use this Wet/Dry Vacuum as described in this manual. Observe the following warnings that appear on the motor housing of your Wet/Dry Vac.



DOUBLE INSULATED - GROUNDING NOT REQUIRED - WHEN SERVICING USE ONLY IDENTICAL REPLACEMENT PARTS.



WARNING: TO REDUCE THE RISK OF ELECTRIC SHOCK - DO NOT EXPOSE TO RAIN. STORE INDOORS.




WARNING: FOR YOUR OWN SAFETY, READ AND UNDERSTAND OPERATOR'S MANUAL. DO NOT RUN UNATTENDED. DO NOT PICK UP HOT ASHES, COALS, TOXIC, FLAMMABLE OR OTHER HAZARDOUS MATERIALS. DO NOT USE AROUND EXPLOSIVE LIQUIDS OR VAPORS.



CAUTION: DO NOT VACUUM DRYWALL DUST OR FIREPLACE SOOT OR ASH WITH STANDARD WET/DRY FILTER. THIS TYPE OF DUST IS VERY FINE WHICH MAY NOT BE CAPTURED BY THE FILTER AND CAUSE DAMAGE TO MOTOR. WHEN VACUUMING FINE DUST USE A FINE DUST FILTER (SOLD SEPARATELY).



WARNING: SERVICING OF DOUBLE-INSULATED WET/DRY VACUUM WITH A DOUBLE-INSULATED WET/DRY VACUUM, TWO SYSTEMS OF INSULATION ARE PROVIDED INSTEAD OF GROUNDING. NO GROUNDING MEANS IS PROVIDED ON A DOUBLE-INSULATED APPLIANCE, NOR SHOULD A MEANS FOR GROUNDING BE ADDED. SERVICING A DOUBLE INSULATED WET/DRY VACUUM REQUIRES EXTREME CARE AND KNOWLEDGE OF THE SYSTEM, AND SHOULD BE DONE ONLY BY QUALIFIED SERVICE PERSONNEL. REPLACEMENT PARTS FOR A DOUBLE-INSULATED WET/DRY VACUUM MUST BE IDENTICAL TO THE PARTS THEY REPLACE. YOUR DOUBLE-INSULATED WET/DRY VAC IS MARKED WITH THE WORDS 'DOUBLE INSULATED' AND THE SYMBOL  (SQUARE WITHIN A SQUARE) MAY ALSO BE MARKED ON THE APPLIANCE.




EXTENSION CORDS

When using an extension cord with your Wet/Dry Vacuum refer to the following table to determine the required A.W.G. wire size. Before using the cleaner make sure the power cord and extension cord are in good working condition. Make repairs or replacements before using the vacuum cleaner. Only use extension cords that are rated for outdoor use.

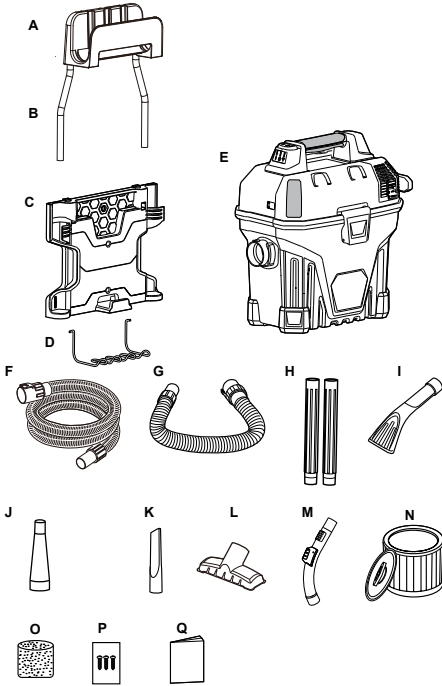
120V		Length of Extension Cord			
		25ft (7.62m)	50ft (15.24m)	100ft (30.48m)	150ft (45.72m)
Ampere rating		A.W.G. Wire Size			
More than	Not more than				
0	6	18	16	16	14
6	10	18	16	14	12
10	12	16	16	14	12
12	16	14	12	Not recommended	

SYMBOLS

The following signal words and meanings are intended to explain the levels of risk associated with this product.

SYMBOL	SIGNAL	MEANING
	DANGER	Indicates an imminently hazardous situation, which, if not avoided, will result in death or serious injury.
	WARNING	Indicates a potentially hazardous situation, which, if not avoided, could result in death or serious injury.
	CAUTION	Indicates a potentially hazardous situation, which, if not avoided, may result in minor or moderate injury.
	NOTICE	(Without Safety Alert Symbol) Indicates a situation that may result in property damage.

UNPACKING & CHECKING CARTON CONTENTS

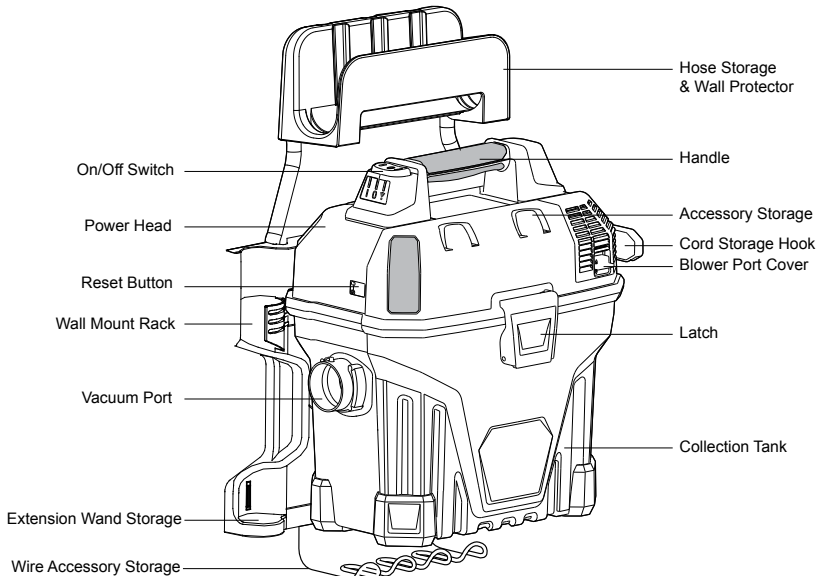


Remove all contents from the box. Remove the power head and take out any contents inside the collection tank. Check each item against the carton contents list.

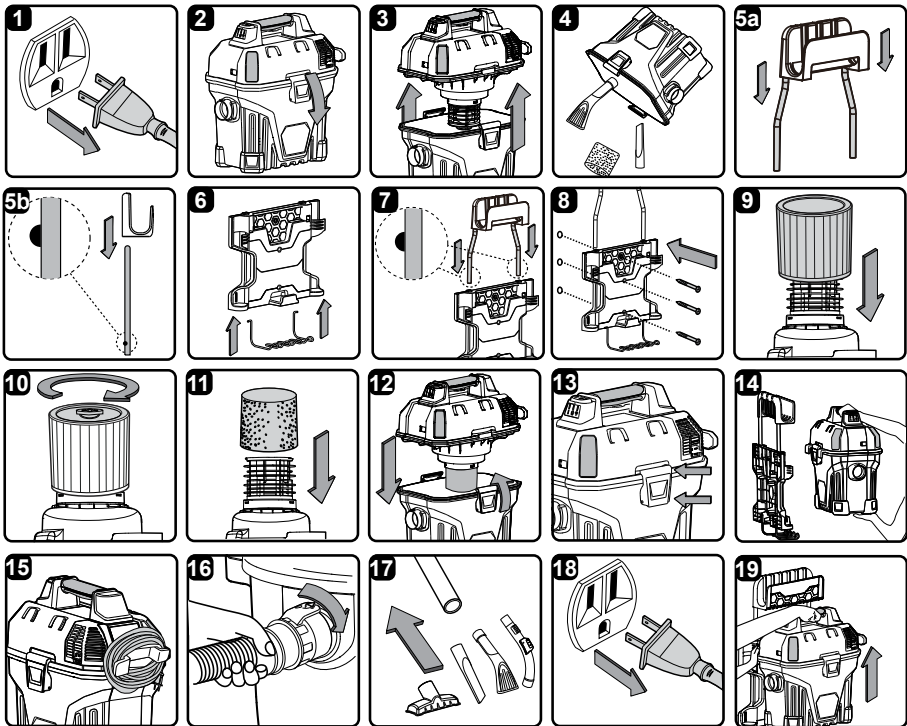
Carton Contents List:

Key	Description	Qty.
A	Hose Storage Rack	1
B	Hose Storage Support	1
C	Wall Mount Rack	1
D	Wire Accessory Rack	1
E	Vac Assembly	1
F	Standard Hose	1
G	Flex Hose	1
H	Extension Wands	2
I	Car Nozzle	1
J	Concentrator Nozzle	1
K	Crevice Tool	1
L	Utility Nozzle	1
M	Remote Control Handle	1
N	Cartridge Filter	1
O	Foam Wet Filter	1
P	Screws	3
Q	Operator's Manual	1

NOTE: The hose and accessories for this vacuum are 1-7/8" diameter.



GENERAL ASSEMBLY INSTRUCTIONS



⚠ WARNING: DO NOT PLUG POWER CORD INTO POWER OUTLET. MAKE SURE PLUG IS DISCONNECTED BEFORE ASSEMBLING THE WET/DRY VACUUM. TO REDUCE THE RISK OF ELECTRIC SHOCK, DO NOT EXPOSE TO RAIN.

UNPACKING YOUR WET/DRY VACUUM & GENERAL ASSEMBLY

1. Verify that the power cord is disconnected from the outlet (Fig. 1).
2. Undo the latches (Fig. 2).
3. Lift the power head off the collection tank (Fig. 3).
4. Remove the contents from inside the collection tank. Make sure you have all contents as listed on page 7 (Fig. 4).
5. Insert the steel rod into the hose storage rack, and snap into place. Make sure the buttons on the rod are directed as illustrated (Fig. 5a & 5b).
6. Locate the two openings on the bottom of the wall mount rack and insert the wire accessory storage into the wall mount until they lock in place. Make sure the wire accessory storage is directed towards the front side of the wall mount rack (Fig. 6).
7. Insert the steel rod with hose storage rack into the two holes located on the top of the wall mount rack. Ensure the Vacmaster logo is facing forward (Fig. 7).


IMPORTANT! WALL MOUNT RACK AND STORAGE ASSEMBLY

- Do not mount the rack over 5 ft / 1.5 m from the floor.
 - Do not screw the rack to drywall only. Secure the screws to a stud.
 - Do not hang from or sit on the wall mount rack.
 - Do not exceed the 40 lb / 18 kg maximum weight limit.
8. Locate a wall stud that is not more than 18 ft / 5.5 m away from an electrical outlet. Align the three screw holes on the wall mount rack so that they are over the stud. Make sure the rack is level and mark the hole locations. Make a 1/8 in. diameter pilot hole in each marked location. Secure the wall mount rack to the wall stud with the three screws provided (Fig. 8).

MOUNTING THE VACUUM ONTO THE RACK

1. Your vacuum comes ready for dry vacuum cleaning. If the cartridge filter is not installed, refer to page 15 for installation instructions (Fig. 9 & 10).
2. For wet vacuum cleaning, remove the cartridge filter, and install the supplied foam wet filter. See page 15 for the foam wet filter installation instructions (Fig. 11).
3. Place the power head back on the collection tank, and secure into place using the 2 side latches (Fig. 12 & 13).
4. Mount the vacuum onto the wall mount rack by aligning the hanging hook on the rear of the vacuum with the slot on the wall mount rack and slide downward until it locks (Fig. 14).
5. Wind the excess power cord around the cord storage hook located on the side of the vacuum (Fig. 15).
6. Insert the locking end of the hose into the vacuum port of the collection tank and turn clockwise to lock into place (Fig. 16).
7. Choose the desired accessory, such as the remote control handle, and insert onto the end of the hose or extension wand (Fig. 17).

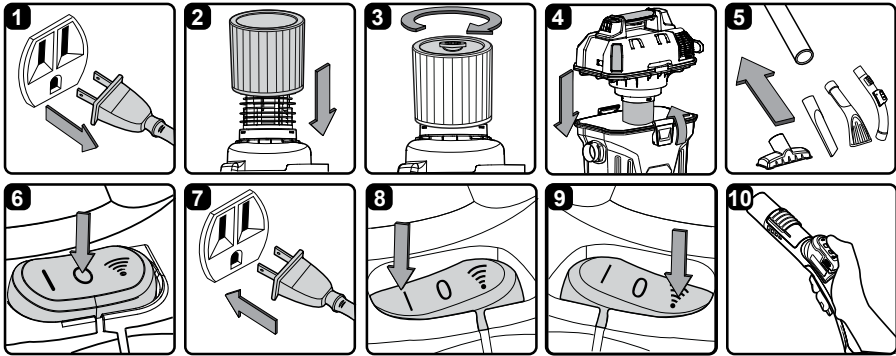
POLARIZED PLUG

To reduce the risk of electrical shock, this appliance has a polarized plug (one blade wider than the other). This plug will fit in a polarized outlet only one way. If the plug does not fit fully in the outlet, reverse the plug. If it still does not fit, contact a qualified electrician to install the proper outlet. Do not change the plug in any way. Double insulation  eliminates the need for the three wire grounded power cord and grounded power supply system.

DISMOUNTING THE VACUUM FROM THE RACK

1. Disconnect the power cord from the electrical outlet (Fig. 18).
2. Lift the vacuum up and out of the rack by the handle (Fig. 19).

DRY VACUUM OPERATION



DRY VACUUMING


⚠ WARNING: BE SURE TO READ, UNDERSTAND, AND APPLY INFORMATION ENTITLED "IMPORTANT SAFETY INSTRUCTIONS". DO NOT VACUUM IN AREAS WITH FLAMMABLE GASES, VAPORS, OR EXPLOSIVE DUSTS IN THE AIR. FLAMMABLE GASES OR VAPORS INCLUDE BUT ARE NOT LIMITED TO: LIGHTER FLUID, SOLVENT TYPE CLEANERS, OIL-BASED PAINTS, GASOLINE, ALCOHOL, OR AEROSOL SPRAYS. EXPLOSIVE DUSTS INCLUDE BUT ARE NOT LIMITED TO: COAL, MAGNESIUM, GRAIN, OR GUN POWDER. TO REDUCE THE RISK OF HEALTH HAZARDS FROM VAPORS OR DUST, DO NOT VACUUM TOXIC MATERIALS.

⚠ WARNING: DO NOT PLUG POWER CORD INTO POWER OUTLET. MAKE SURE PLUG IS DISCONNECTED BEFORE CHANGING THE FILTERS.

⚠ CAUTION: DO NOT VACUUM DRYWALL DUST OR FIREPLACE SOOT OR ASH WITH STANDARD WET/DRY FILTER. THIS IS A VERY FINE DUST WHICH WILL NOT BE CAPTURED BY THE FILTER AND MAY CAUSE DAMAGE TO MOTOR. WHEN VACUUMING FINE DUST USE A FINE DUST FILTER (SOLD SEPARATELY).

1. Verify that the power cord is disconnected from the outlet (Fig. 1).
2. In order to prepare your vacuum for dry vacuuming, verify that the cartridge filter completely covers the filter cage. Your Wet/Dry Vacuum comes with the cartridge filter pre-installed. For installation instructions, see page 15 (Fig. 2).
3. Place filter retainer on top of cartridge filter and tighten down by turning the retainer handle clockwise (Fig. 3).
4. Place the power head back on the collection tank, aligning the top section with the latches, and lock into place (Fig. 4).

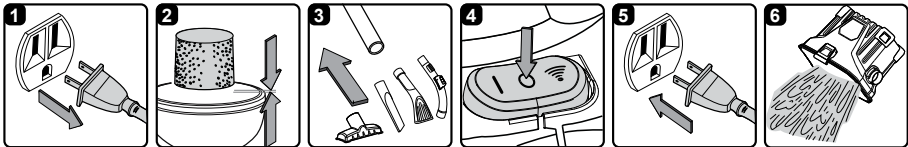
OPERATING INSTRUCTIONS: DRY VACUUMING

5. Insert the locking end of the hose into the vacuum port and turn to lock into place. Choose the desired accessory and insert onto the end of the hose or extension wand (Fig. 5).
6. Verify that the switch is in the 'O' (OFF) position before plugging the power cord into the outlet (Fig. 6 & 7). Hang the vacuum onto the rack or use off the rack.
7. Turn the motor on by flipping the on/off switch to the 'I' (ON) position and begin vacuuming (Fig. 8).
8. For remote control use, set the on/off switch to remote control position “” and turn the vacuum on by pressing the 'I' (ON) button on the remote control handle (Fig. 9 & 10).
9. Once you have completed vacuuming, press the on/off switch to the 'O' (OFF) position or press the 'O' (OFF) button on the remote control for at least one second.

O = OFF I = ON  = Remote Control

DO NOT USE THE CARTRIDGE FILTER FOR LIQUID VACUUMING.

LIQUID VACUUM OPERATION



LIQUID VACUUMING

! WARNING: BE SURE TO READ, UNDERSTAND, AND APPLY INFORMATION ENTITLED “IMPORTANT SAFETY INSTRUCTIONS”. DO NOT VACUUM IN AREAS WITH FLAMMABLE GASES, VAPORS, OR EXPLOSIVE DUSTS IN THE AIR. FLAMMABLE GASES OR VAPORS INCLUDE BUT ARE NOT LIMITED TO: LIGHTER FLUID, SOLVENT TYPE CLEANERS, OIL-BASED PAINTS, GASOLINE, ALCOHOL, OR AEROSOL SPRAYS. EXPLOSIVE DUSTS INCLUDE BUT ARE NOT LIMITED TO: COAL, MAGNESIUM, GRAIN, OR GUN POWDER. TO REDUCE THE RISK OF HEALTH HAZARDS FROM VAPORS OR DUST, DO NOT VACUUM TOXIC MATERIALS.


! WARNING: DO NOT PLUG POWER CORD INTO POWER OUTLET. MAKE SURE PLUG IS DISCONNECTED BEFORE CHANGING THE FILTERS.

IMPORTANT! When vacuuming large volumes of liquids, we recommend that you remove the vacuum from the wall mount rack and put it on the floor. The vacuum can be heavy when full of liquids and may be difficult to remove from the rack.

1. Verify that the power cord is disconnected from the outlet. Make sure that the collection tank is clean and free of dust and dirt (Fig. 1).
2. Remove the cartridge filter, then carefully install the foam wet filter over the filter cage and place the power head back on the collection tank. For foam wet filter installation instructions, see page 15 (Fig. 2).

DO NOT USE THE CARTRIDGE FILTER FOR LIQUID VACUUMING.

OPERATING INSTRUCTIONS: WET VACUUMING

3. Push the required attachment onto the free end of the hose or extension wand (Fig. 3).
4. Ensure that the on/off switch is in the 'O' OFF position before plugging the power cord into the outlet (Fig. 4 & 5).
5. Turn the motor on by flipping the switch on the power head to the 'I' ON position or flipping the switch to the remote control position “  ” and use the 'I' ON button on the remote control.

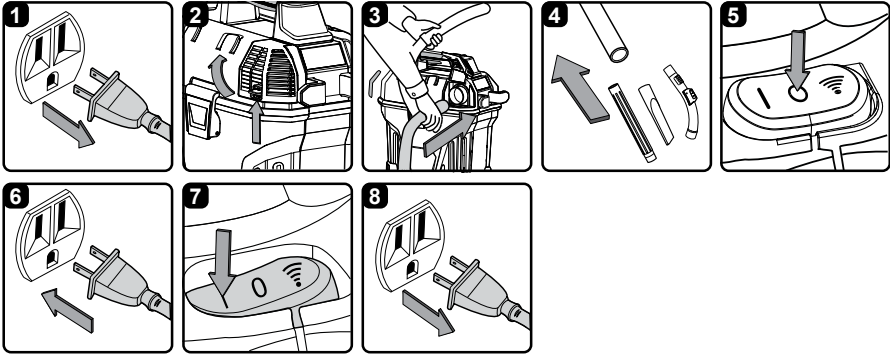
DO NOT SUBMERGE THE REMOTE CONTROL IN LIQUIDS.

6. After wet vacuuming, turn the machine off and remove plug from power supply. Empty the collection tank, clean, and dry the inside and outside of the collection tank (Fig. 6). Remove the foam wet filter and allow it to air dry before storage.

IMPORTANT! When vacuuming large quantities of liquids, do not immerse the nozzle completely in the liquid; leave a gap at the tip of the nozzle opening to allow air inflow. The machine is fitted with a float valve that stops the suction action when the collection tank reaches its maximum capacity. You will notice an increase in motor speed. When this happens, turn off the machine, disconnect from power supply, and empty the liquid into a suitable receptacle or drain. To continue vacuuming, refit the power head to the collection tank. After wet vacuuming, turn the machine off and remove plug from power supply. To prevent the risk of possible mildew, empty the collection tank, clean and dry the inside and outside of the collection tank. Remove the foam wet filter and allow it to air dry before storage.

REMEMBER! The foam wet filter must be removed after wet vacuuming, and a cartridge filter must be installed before dry vacuuming again.

BLOWER OPERATION



This Wet/Dry Vacuum has blowing capabilities. To use the blower feature follow the instructions listed.

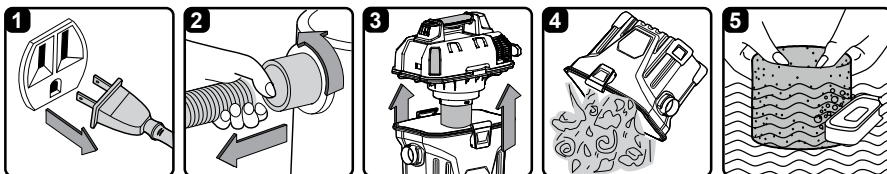
⚠ WARNING: ALWAYS WEAR SAFETY GOGGLES COMPLYING WITH ANSI Z87.1 (OR IN CANADA, CSAZ94.3) BEFORE USING BLOWER.

⚠ WARNING: KEEP BYSTANDERS CLEAR FROM BLOWING DEBRIS.

⚠ WARNING: WEAR A DUST MASK IF BLOWING CREATES DUST THAT MIGHT BE INHALED.

1. Verify that the power cord is disconnected from the outlet (Fig. 1).
2. Make sure the collection tank is empty before using as a blower. Clear all dirt and debris from the hose and collection tank.
3. Lift the button on the blower filter door to the unlocked position and flip the blower filter door open (Fig. 2).
4. Remove the hose from the vacuum port and insert the locking end of the hose into the blower port on the power head and lock into position (Fig. 3).
5. Fit the desired extension wand and/or nozzle to the free end of the vacuum hose (Fig. 4).
6. Verify that the on/off switch is in the 'O' OFF position before plugging the power cord into the outlet (Fig. 5 & 6).
7. Before turning ON the vacuum, firmly hold the loose end of the hose. Turn the motor on by flipping the switch to the 'I' ON position or set the switch to the remote control setting and use the remote control (Fig. 7).
8. Once you have completed blowing, flip the on/off switch to the 'O' (OFF) position and unplug the power cord from the outlet (Fig. 8).

MAINTENANCE



EMPTYING THE COLLECTION TANK

⚠ WARNING: ALWAYS DISCONNECT THE PLUG FROM THE POWER OUTLET BEFORE REMOVING THE POWER HEAD FROM COLLECTION TANK.

1. Verify that the power cord is disconnected from the outlet (Fig. 1).
2. Disconnect the hose from the vacuum (Fig. 2).
3. Remove the vacuum from the wall mount rack.
4. Undo the latches and remove the power head from the collection tank (Fig. 3).
5. Clear all dirt or debris from the collection tank and hose into a proper waste container (Fig. 4).
6. Clean or replace the filters (Fig. 5).
7. Check the hose, attachments, and power cord to verify that they have not been damaged.
8. Place power head back on collection tank and secure latches.

IMPORTANT! Clean or change the cartridge filter regularly for best performance. **ALWAYS USE THE CARTRIDGE FILTER FOR DRY VACUUMING.** If the machine is used without the cartridge filter, the motor will burn out and the warranty will be voided. Always keep spare cartridge filters on hand.

NOTICE! The filters included are made of high quality materials designed to stop small dust particles. The cartridge filter should be used for dry pick-up only. A dry cartridge filter is necessary to pick up dust. If the cartridge filter is wet, it will clog quickly and be difficult to clean. Handle the filter carefully when removing it for cleaning or replacing. Check the filters for tears or small holes. A small hole can let dust pass through and out of the filter. Do not use a filter with holes or tears in it; replace it immediately.

BATTERY INSTRUCTIONS

- Always purchase the correct size and grade of battery most suitable for the intended use.
- Always replace the whole set of batteries at one time, taking care not to mix old and new ones, or batteries of different types.
- Clean the battery contacts and also those of the device prior to battery installation.
- Ensure the batteries are installed correctly with regard to polarity (+ and -).
- Remove batteries from equipment which is not to be used for an extended period of time.
- Remove used batteries promptly.

Batteries must be disposed of in a specified manner to prevent contamination of the environment. Before disposing of damaged or worn out batteries, contact your local waste disposal agency, or the local Environmental Protection Agency for information and specific instructions.

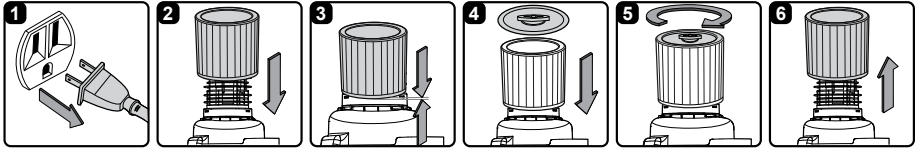
STORAGE

Before storing your vacuum, the collection tank should be emptied and cleaned. The cord should be wrapped around the cord storage hook located on the side of the vacuum and the hose should be stored on hose storage rack. Accessories can be stored on accessory storage and wall mount assembly. The vacuum should be stored indoors when not using.

REPAIRS

Repairs for this wet/dry vacuum should be performed only by qualified service personnel using only identical replacement parts.

INSTALLING & CLEANING CARTRIDGE FILTER



INSTALLING CARTRIDGE FILTER

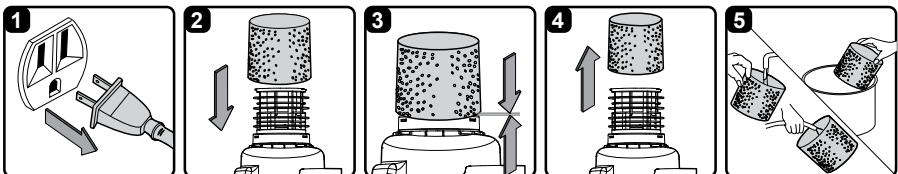
1. Verify that the power cord is disconnected from the outlet (Fig. 1).
2. Remove the power head and place in upside down position.
3. Install the cartridge filter over the filter cage making sure the cage is completely covered. Carefully push filter in until it stops against the power head (Fig. 2 & 3).
4. Place the filter retainer on top of the cartridge filter over the raised lip and tighten down by turning the retainer clockwise; do not over-tighten (Fig. 4 & 5).
5. Place the power head back onto the collection tank.

REMOVING AND CLEANING CARTRIDGE FILTER

1. Unlock and remove the filter retainer by turning retainer handle counterclockwise.
2. Carefully remove the cartridge filter by sliding it off the filter cage (Fig. 6).
3. Clean the cartridge filter by gently tapping or brushing dirt off. Cleaning should not be done indoors in living areas. For optimal performance a new filter is recommended.
4. Install cleaned or new filter into place as instructed above.
5. Wet filters should be removed and allowed to air dry for 24 hours before installing onto the filter cage.

! WARNING: ALWAYS DISCONNECT THE PLUG FROM THE POWER OUTLET BEFORE REMOVING THE POWER HEAD FROM COLLECTION TANK.

INSTALLING & CLEANING FOAM WET FILTER



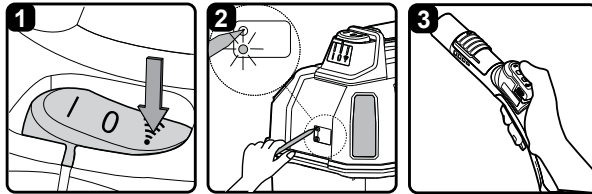
INSTALLING FOAM WET FILTER


1. Verify that the power cord is disconnected from the outlet (Fig. 1).
2. Remove the power head and place in upside down position. Follow instructions to remove the cartridge filter on page 15.
3. Carefully slide the foam wet filter down over the filter cage making sure the cage is completely covered (Fig. 2 & 3).
4. Place the power head onto the collection tank.

CLEANING FOAM WET FILTER

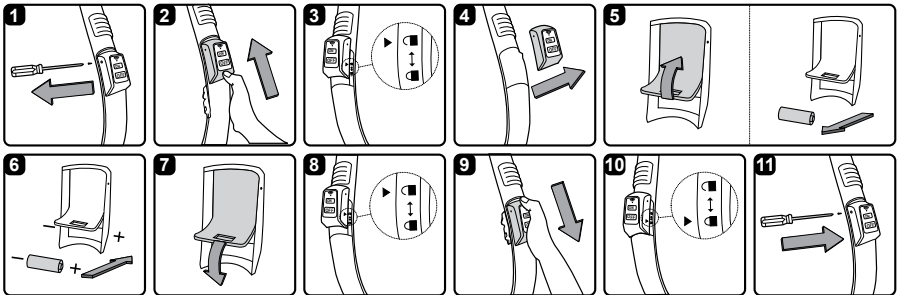
1. With the removed power head in an upside down position, carefully remove the foam wet filter (Fig. 4).
2. Use a mild soap and water solution to wash the foam wet filter and rinse with clean water (Fig. 5).
3. Allow the filter to air dry for 24 hours before installing onto the filter cage.


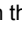

RESETTING THE REMOTE CONTROL



1. Have the remote control accessible. Set the power switch on the vacuum to the remote control position “” (Fig. 1).
2. Press the RESET button on the side of the power head with pointed object such as paper clip or a pen tip until the indicator lights up (Fig. 2).
3. Release the RESET button once the red indicator light lights up and immediately press and hold the “ON” button on the remote control handle until the vacuum powers on (Fig. 3).
4. If the “ON” button is not pressed and held within a 15 second window, the reset will not be successful. Repeat steps 2-3 to reset the remote control.

Changing The Battery - Replace Only With A 23AE 12V Alkaline Battery



1. Using a Phillips screwdriver, remove the screws on the remote control (Fig. 1).
2. Slide back the remote cover so that the white triangle on the remote cover points to the unlock symbol “” (Fig. 2 & 3).
3. Remove the remote cover from the handle (Fig. 4).
4. Lift the foam cover to expose the battery and remove the old battery (Fig. 5).
5. Insert the new battery with the terminals in the direction shown and make sure to replace the foam cover (Fig. 6 & 7).
6. Replace the remote control by aligning the white triangle on the side cover to the unlock symbol “” on the handle (Fig. 8).
7. Slide the remote cover so that the white triangle is over the locked symbol “” (Fig. 9 & 10).
8. Secure the cover with the screws. Do not over-tighten (Fig. 11).

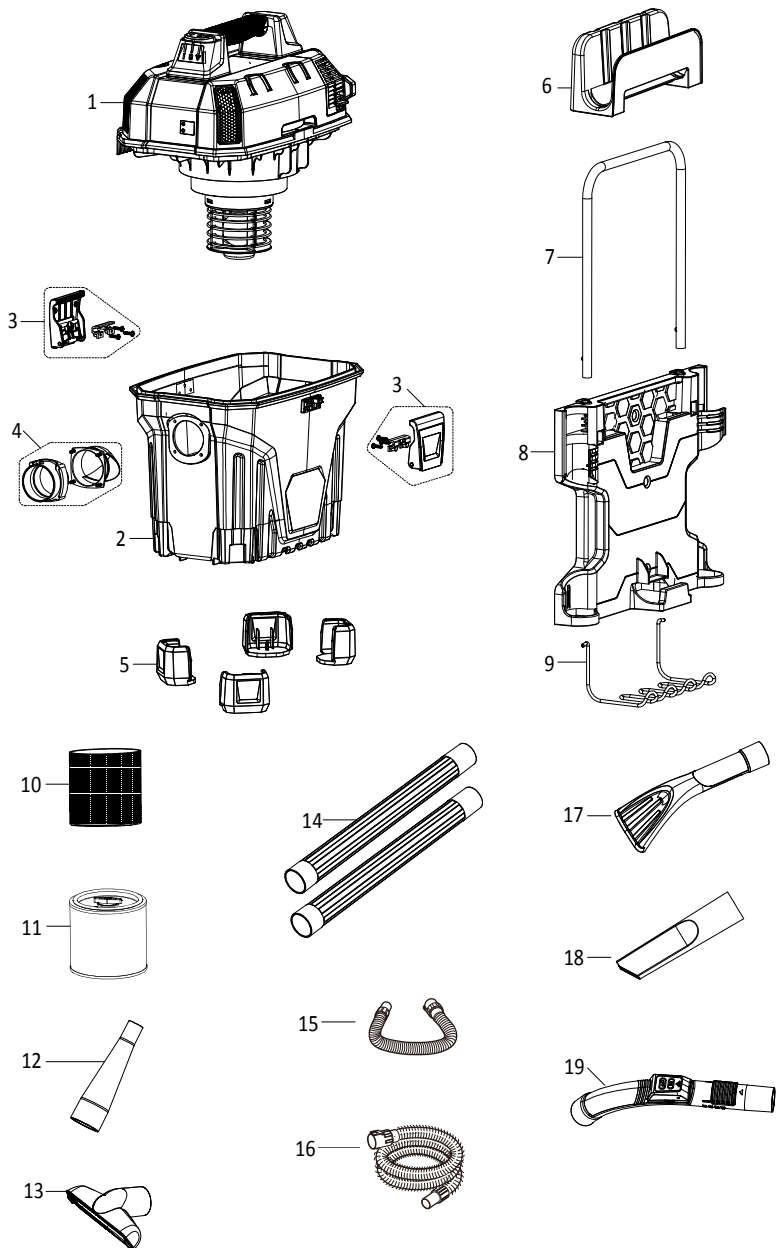
TROUBLESHOOTING



WARNING! TO REDUCE THE RISK OF ELECTRIC SHOCK, UNPLUG BEFORE TROUBLESHOOTING.

PROBLEM	POSSIBLE CAUSE	SOLUTION
The wet/dry vacuum will not operate.	No power supply.	Check the power supply, cord, breakers, and fuses.
	Faulty power cord.	Unplug and check the power cord. If damaged, have it repaired by a professional.
	Collection tank is full.	Empty the collection tank.
	Switch in the wrong position.	Press the ON 'I' button on the power head.
The dust comes out from the motor cover.	The cartridge filter is missing or damaged.	Attach or replace the cartridge filter.
	Vacuum has been used to collect fine dust, such as dry wall dust, fireplace soot, or ash, without a fine dust filter equipped.	Remove the standard cartridge filter and install the appropriate fine dust cartridge filter.
Reduced efficiency and motor/speed vibration.	There is a blockage in the nozzle, hose, or the collection tank inlets. The cartridge filter is clogged by fine dust.	Check nozzle, hose and collection tank inlets for blockage. Take off the filter and clean it or install a new cartridge filter.
The remote control will not operate.	The remote control is not paired with the vac.	Reset the remote control using the instructions on page 16.
	The battery is dead.	Replace the battery.

EXPLODED VIEW



PARTS LIST

Part	Part Number	Description	Quantity
1		Power Head Assembly	1
2		Collection Tank	1
3	551001176	Latch Assembly	2
4	551001153	Vacuum Port Assembly	1
5	551001177	Bumper Foot	4
6	551001178	Hose Storage Rack	1
7	551001179	Hose Storage Support	1
8	551001180	Wall Mount Rack	1
9	551001181	Accessory Storage Rack	1
10	551001141	Foam Wet Filter	1
11	551301101	Cartridge Filter	1
12	551001182	Concentrator Nozzle	1
13	551011109	Utility Nozzle	1
14	551001121	Extension Wand	2
15	551001114	10 ft. Flex Hose	1
16	551001113	11 ft. Standard Hose	1
17	551390103	Car Nozzle	1
18	551109125	Crevice Tool	1
19	551618103	Remote Control Handle	1