



Ash Vacuum
Aspiradora de cenizas
Aspirateur à Cendres

Operator's Manual
Manual del usuario
Manuel d'utilisation



5 Gallon / 5 Galones / 18 L

Model No. • N° de modelo • Référence de modèle

EAV508S 1102

FOR YOUR SAFETY

Read and understand this manual before use. Keep this manual for future reference.

POR SU SEGURIDAD

Lea y comprenda este manual antes de usar el producto. Conserve este manual para futura referencia.

POUR GARANTIR VOTRE SÉCURITÉ

Lisez et comprenez ce manuel avant toute utilisation de l'appareil. Conservez le présent manuel afin de pouvoir vous y référer ultérieurement.

Replacement Filters &
Accessories available at:
Vacmaster.com

Filtros de repuesto y
accesorios disponibles en:
Vacmaster.com

Filtres de rechange et
Accessoires disponibles à l'adresse suivante:
Vacmaster.com



Distributed by/ Distribuido por/ Distribué par:
Cleva North America, Inc.
601 Regent Park Court, Greenville, SC 29607

TABLE OF CONTENTS

SECTION	PAGE
Warranty.....	3
Important Safety Instructions.....	4-5
Symbols.....	6
Unpacking & Checking Carton Contents.....	7
General Assembly Instructions.....	8
Ash Vacuum Operation.....	9
Maintenance.....	10
Installing & Cleaning Ash Filter & Pre-Filter.....	11
Troubleshooting.....	12
Exploded View.....	13
Parts List.....	14

Thank you for purchasing this Vacmaster® Ash vacuum cleaner. Feel confident that with Vacmaster® you are obtaining a high-quality product engineered for optimal performance. This vacuum is capable of picking up dry materials.



IMPORTANT INFORMATION

GALLONS

"Tank Size" refers to the actual tank volume and does not reflect capacity available during operation.

PEAK HP

"Peak Horsepower" is a term used in the wet-dry vac industry for consumer comparison purposes. It does not denote the operational horsepower output of a wet-dry vac, but rather the horsepower output of a motor, including the motor's inertial contribution, achieved in laboratory testing. In actual use, motors do not operate at the peak horsepower shown.

FOR YOUR SAFETY: CAREFULLY READ AND UNDERSTAND ALL INSTRUCTIONS.

WARRANTY

We take pride in producing a high-quality, durable product. This Vacmaster® product carries a limited two (2) year warranty against defects in workmanship and materials from date of purchase (or, for deliveries in the State of California, two years from the date of delivery) under normal household use. If the product is to be used for commercial, industrial, or rental use, a 90-day limited warranty will apply. Please keep your receipt as proof of purchase. This warranty gives you specific legal rights, which may vary from state to state. For product service call Customer Service at 1-866-384-8432.

Not Covered by Warranty:

- Any part that has become inoperative due to misuse, negligence, direct/indirect abuse, accidents, improper maintenance, repairs, or alterations;
- Consumables such as filters and accessories;
- Normal wear and tear of parts and attachments, such as hose, nozzles, or casters;
- Normal deterioration of the exterior finish due to use or exposure;
- Any product where serial number/data label is tampered with or removed;
- Any product purchased from an unauthorized retailer.

IMPORTANT SAFETY INSTRUCTIONS

READ AND UNDERSTAND ALL INSTRUCTIONS BEFORE USING THIS VACUUM

Read and understand this operator's manual and all labels on the Ash Vacuum cleaner before operating. Safety is a combination of common sense, staying alert and knowing how your vacuum works. Use this Ash Vacuum only as described in this manual. To reduce the risk of personal injury or damage to your Ash Vacuum, use only manufacturer recommended accessories.

SAVE THIS MANUAL FOR FUTURE REFERENCE.

This vacuum is intended for removing loose, cool ash from the ash collection areas of stoves and fireplaces. Do not vacuum soot. Soot is a combustible material generally found in deposits along exhaust areas and chimneys.

The temperature of the vacuuming material must be below 100°F (40°C). If it exceeds 100°F (40°C), there is a risk of fire.



CAUTION: NEVER USE THIS PRODUCT FOR VACUUMING LIQUIDS. ONLY USE THIS UNIT TO VACUUM DRY DUST MATERIAL!

When using a vacuum, basic precautions should always be followed including the following. Failure to follow the warnings and instructions may result in explosion, fire and/or serious injury.



WARNING: TO REDUCE THE RISK OF FIRE, ELECTRIC SHOCK, OR INJURY:

- Do not run vacuum unattended.
- Do not use to pick up flammable or combustible liquids, such as gasoline, or use in areas where they may be present.
- Do not vacuum, or use this ash vacuum near flammable liquids, gases, or explosive vapors like gasoline or other fuels, lighter fluids, cleaners, oil-based paints, natural gas, hydrogen, or explosive dusts like coal dust, magnesium dust, grain dust, or gun powder. Sparks inside the motor can ignite flammable vapors or dust.
- To reduce the risk of health hazards from vapors or dusts, do not vacuum toxic materials.
- Do not use or store near hazardous materials.
- Do not vacuum anything that is burning or smoking, such as cigarettes, matches, or hot ashes.
- Do not expose the unit to rain. Store indoors.
- If ash vacuum is not working as it should, has been dropped, damaged, left outdoors, or dropped into water, return it to a service center.
- Do not unplug by pulling on cord. To unplug, grasp the plug, not the cord.
- Do not use it with a damaged cord or plug.
- Do not pull or carry by cord, use cord as a handle, close a door on cord, or pull cord around sharp edges or corners.
- Keep cord away from heated surfaces.
- Do not run ash vacuum over cord.
- Do not handle plug or ash vacuum with wet hands.
- Do not use this vacuum with a torn filter or without the filter installed.
- Do not allow it to be used as a toy. Close attention is necessary when used by or near children, pets, or plants.
- To reduce the risk of injury from accidental starting, unplug power cord before changing or cleaning filter.
- Do not leave ash vacuum when plugged in. Unplug from outlet when not in use and before servicing.

- Turn off all controls before unplugging.
- Do not put any object into openings. Do not use with any opening blocked; keep free of dust, lint, hair, and anything that may reduce air flow.
- Keep hair, loose clothing, fingers, and all parts of body away from openings and moving parts.
- Use extra care when cleaning on stairs.
- Use only as described in this manual. Use only manufacturer's recommended attachments.
- The use of the vacuum can result in foreign objects being blown into eyes. Always wear safety goggles complying with ANSI Z87.1 (or in Canada CSAZ94.3) when operating vacuum.

ATTENTION: Vacuuming materials, which appear to have cooled down, may still be very hot inside. Hot ash particles may ignite with airflow. Wait until the fire is extinguished and the ashes have cooled down before you begin cleaning. It is not recommended to quickly extinguish the fire with water. Please make sure that ashes are cold before you vacuum. Temperature exceeding 100°F (40°C) may damage the vacuum cleaner and the components included. Continuously check hose, ash filter, and vacuum cleaner for excessive temperatures during operation. If you notice a temperature rise, switch off the vacuum cleaner immediately and disconnect it from the power outlet. Take the vacuum outside and remove the powerhead.



CAUTION: IN CASE OF EXCESSIVE TEMPERATURE, THE HOSE, FILTER, OR VACUUM CLEANER MAY BE DAMAGED. COMPLETELY EMPTY THE VACUUM CLEANER AND BRUSH OFF THE ASH FILTER IN A SAFE, WELL- VENTILATED AREA AFTER VACUUMING. LET BOTH ITEMS (VACUUM CLEANER AND ASH FILTER) COOL DOWN UNDER SUPERVISION.



CAUTION: TO REDUCE THE RISK OF INJURY FROM MOVING PARTS - UNPLUG BEFORE SERVICING.



WARNING: TO REDUCE THE RISK OF ELECTRIC SHOCK - UNPLUG BEFORE CLEANING OR SERVICING.

When using as blower:




- Direct air discharge only at work area.
- Do not use Ash Vacuum as a sprayer.
- Do not direct air at bystanders.
- Keep children away when blowing.
- Wear safety goggles.

SAVE THESE INSTRUCTIONS

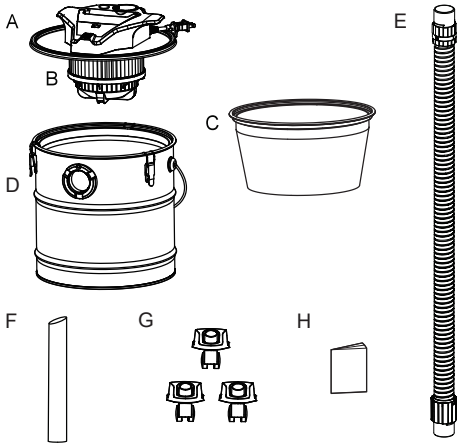
For Household Use Only

SYMBOLS

The following signal words and meanings are intended to explain the levels of risk associated with this product.

SYMBOL	SIGNAL	MEANING
	DANGER	Indicates an imminently hazardous situation, which, if not avoided, will result in death or serious injury.
	WARNING	Indicates a potentially hazardous situation, which, if not avoided, could result in death or serious injury.
	CAUTION	Indicates a potentially hazardous situation, which, if not avoided, may result in minor or moderate injury.
	NOTICE	(Without Safety Alert Symbol) Indicates a situation that may result in property damage.

UNPACKING & CHECKING CARTON CONTENTS

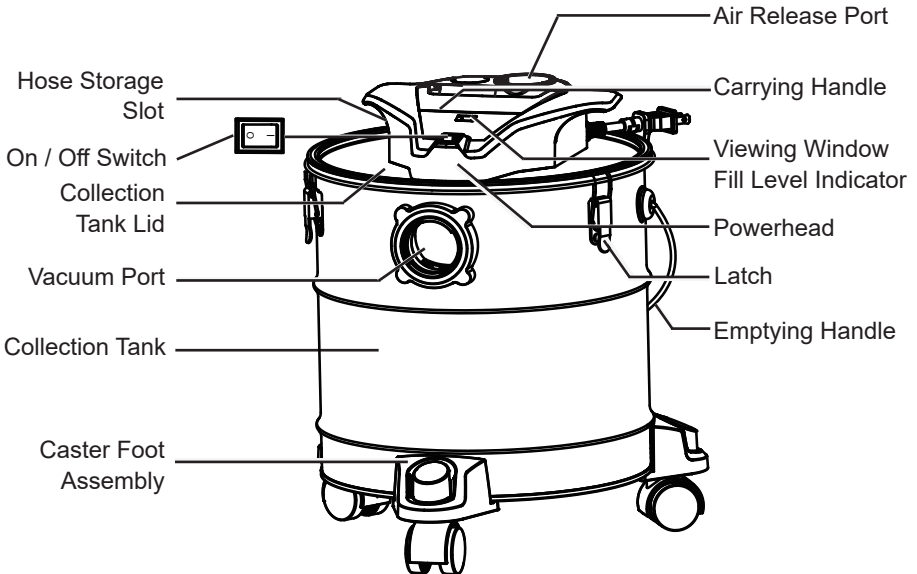


Remove all contents from the box. Remove the powerhead and take out any contents inside the collection tank. Check each item against the carton contents list.

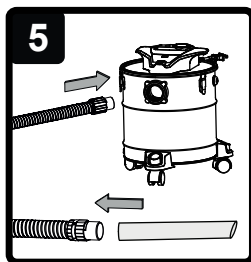
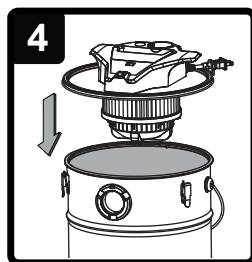
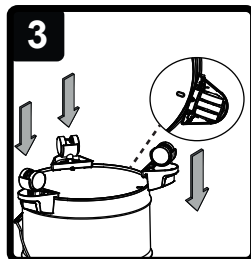
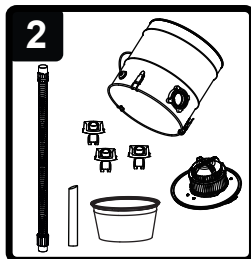
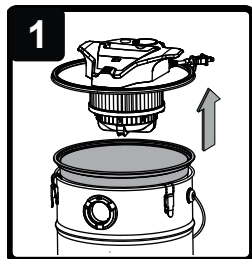
Carton Contents List:

Key	Description	Qty
A	Powerhead	1
B	Ash Filter	1
C	Washable Pre-filter	1
D	Collection Tank	1
E	Hose	1
F	Metal Wand	3
G	Caster	3
H	Operator's Manual	1

NOTE: The hose and accessories for this ash vacuum are 1-7/8" (47.6 mm) diameter.



GENERAL ASSEMBLY INSTRUCTIONS



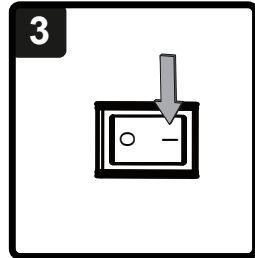
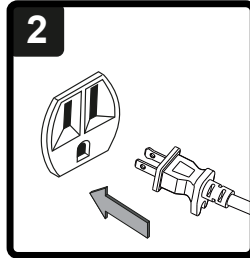
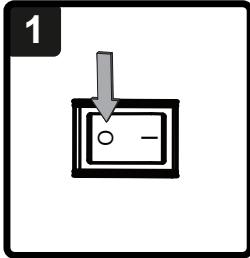
WARNING: DO NOT PLUG POWER CORD INTO POWER OUTLET. MAKE SURE PLUG IS DISCONNECTED BEFORE ASSEMBLING THE ASH VACUUM. TO REDUCE THE RISK OF ELECTRIC SHOCK, DO NOT EXPOSE TO RAIN.

1. Remove the Ash Vacuum from the package.
2. Undo the latches and remove the powerhead and the pre-filter (Fig. 1).
3. Remove the contents from inside the collection tank; make sure you have all the parts listed on page 7 (Fig. 2).
4. Turn the collection tank upside down and clip the three caster feet at the lower edge of the collection tank. There are 3 marks on the bottom of the tank indicating the position of the caster feet. Verify that they are mounted correctly (Fig. 3).
5. Your vacuum comes ready for dry vacuum cleaning. If the ash filter and pre-filter are not installed, refer to page 11 for installation instructions. The pre-filter should rest snugly along the edge of the collection tank.
6. Place the powerhead on the collection tank and secure it with the latches (Fig. 4).
7. Insert the locking end of the hose into the vacuum port on the collection tank and turn clockwise to lock into place. Then connect the metal wand onto the free end of the hose (Fig. 5).

POLARIZED PLUG

To reduce the risk of electrical shock, this ash vacuum has a polarized plug (one blade wider than the other). This plug will fit in a polarized outlet only one way. If the plug does not fit fully in the outlet, reverse the plug. If it still does not fit, contact a qualified electrician to install the proper outlet. Do not change the plug in any way.

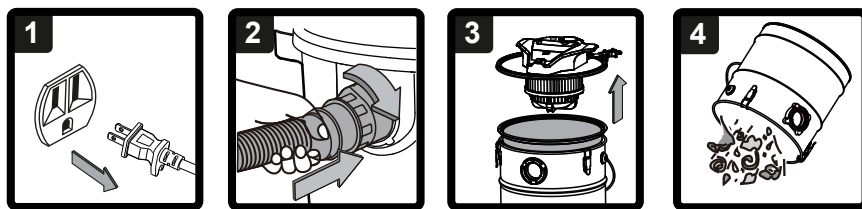
ASH VACUUM OPERATION



WARNING: BE SURE TO READ, UNDERSTAND, AND APPLY INFORMATION ENTITLED 'IMPORTANT SAFETY INSTRUCTIONS'. DO NOT VACUUM IN AREAS WITH FLAMMABLE GASES, VAPORS, OR EXPLOSIVE DUST IN THE AIR. FLAMMABLE GASES OR VAPORS INCLUDE BUT ARE NOT LIMITED TO: LIGHTER FLUID, SOLVENT TYPE CLEANERS, OIL-BASED PAINTS, GASOLINE, ALCOHOL, OR AEROSOL SPRAYS. EXPLOSIVE DUST INCLUDE BUT ARE NOT LIMITED TO: COAL, MAGNESIUM, GRAIN, OR GUN POWDER. TO REDUCE THE RISK OF HEALTH HAZARDS FROM VAPORS OR DUST, DO NOT VACUUM TOXIC MATERIALS.

1. Make sure all parts are in place.
Never use ash vacuum without all filters in place. This includes the ash filter and pre-filter.
Never use ash vacuum without the metal wand installed.
2. Make sure the on/off switch is in the "O" (OFF) position (Fig. 1).
3. Plug the power cord into the outlet, and then turn on the ash vacuum by flipping the switch to the "I" (ON) position (Fig. 2 & 3).
4. Run the unit for 30 seconds after you have finished cleaning your stove or fireplace to ensure all materials are safely captured in the collection tank.
5. Once you have finished vacuuming, flip the switch to the "O" (OFF) position and unplug the cord from the power outlet.

MAINTENANCE



EMPTYING THE COLLECTION TANK

⚠ WARNING: ALWAYS DISCONNECT THE PLUG FROM THE POWER OUTLET BEFORE REMOVING THE POWERHEAD FROM THE COLLECTION TANK.

1. Verify that the power cord is disconnected from the outlet (Fig. 1).
2. Disconnect the hose from the vacuum (Fig. 2).
3. Undo the latches and remove the powerhead and the pre-filter from the collection tank (Fig. 3). Place powerhead on a soft, clean surface upside down.
4. Clear all dirt or debris from the collection tank and hose into a proper waste container (Fig. 4).
5. Clean or replace the filters.
6. Check the hose, accessories, and power cord to verify that they have not been damaged.
7. Place the powerhead back on collection tank and secure latches.

IMPORTANT! Clean or change the ash filter regularly for best performance. **ALWAYS USE THE ASH FILTER AND PRE-FILTER FOR DRY VACUUMING.** If the machine is used without the filter, the motor will burn out and the warranty will be voided. Always keep spare filters on hand.

NOTICE! The filters included are made of high-quality materials designed to stop small dust particles. The ash filter should be used for dry pick-up only. A dry ash filter is necessary to pick up dust. If the ash filter is wet, it will clog quickly and be difficult to clean. Handle the filter carefully when removing it for cleaning or replacing. Check the filter for tears or small holes. A small hole can let dust pass through and out of the filter. Do not use a filter with holes or tears in it; replace it immediately.

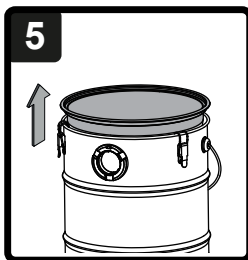
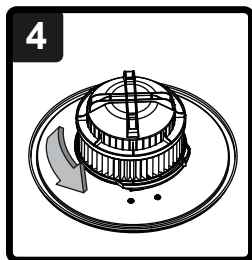
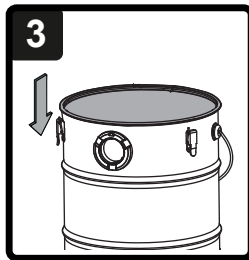
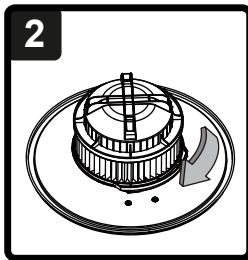
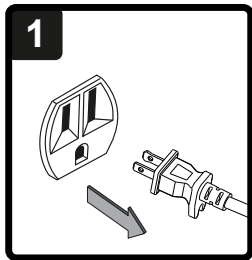
STORAGE

Before storing your vacuum, the collection tank should be emptied and cleaned. The accessories should be cleaned and stored so they can be readily available when needed. Store the ash vacuum indoors.

REPAIRS

Repairs for this ash vacuum should be performed only by qualified service personnel using only identical replacement parts.

INSTALLING & CLEANING ASH FILTER & PRE-FILTER



INSTALLING THE ASH FILTER & PRE-FILTER

1. Verify that the power cord is disconnected from the outlet (Fig. 1).
2. Remove the powerhead and place in an upside-down position.
3. Screw in the ash filter tightly onto the filter cage in a clockwise direction. Make sure the safety switch is pressed down and covered by the edge of the ash filter. The arrow on the ash filter must align with the arrow on the label of the collection tank lid (Fig. 2).

NOTE: If the safety switch is not pressed down, the vacuum cannot be started.

NOTE: If the ash filter is rotated further than the marked arrow, it may become too tightly fixed to the filter cage and become difficult to remove.

4. Place the pre-filter onto the rim of the collection tank. Make sure the edge of the pre-filter fits snugly along the edge of the tank (Fig. 3).
5. Place the powerhead back on collection tank and secure latches.

REMOVING & CLEANING THE ASH FILTER & PRE-FILTER

1. Remove the powerhead and place in an upside-down position.
2. Unscrew and remove the ash filter by turning counterclockwise (Fig. 4).
3. Carefully remove the pre-filter from the collection tank (Fig. 5).
4. Clean the ash filter by gently tapping or brushing the ash or dirt off. Cleaning should not be done indoors in living areas. For optimal performance, a new filter is recommended.
5. Clean the pre-filter by gently tapping or brushing the ash or dirt off or washing it with clean water. Allow the wet filter to air dry completely before storing or installing.
6. Install the cleaned or new filters as shown above in steps 2-5 of Installing the Ash Filter & Pre-Filter.

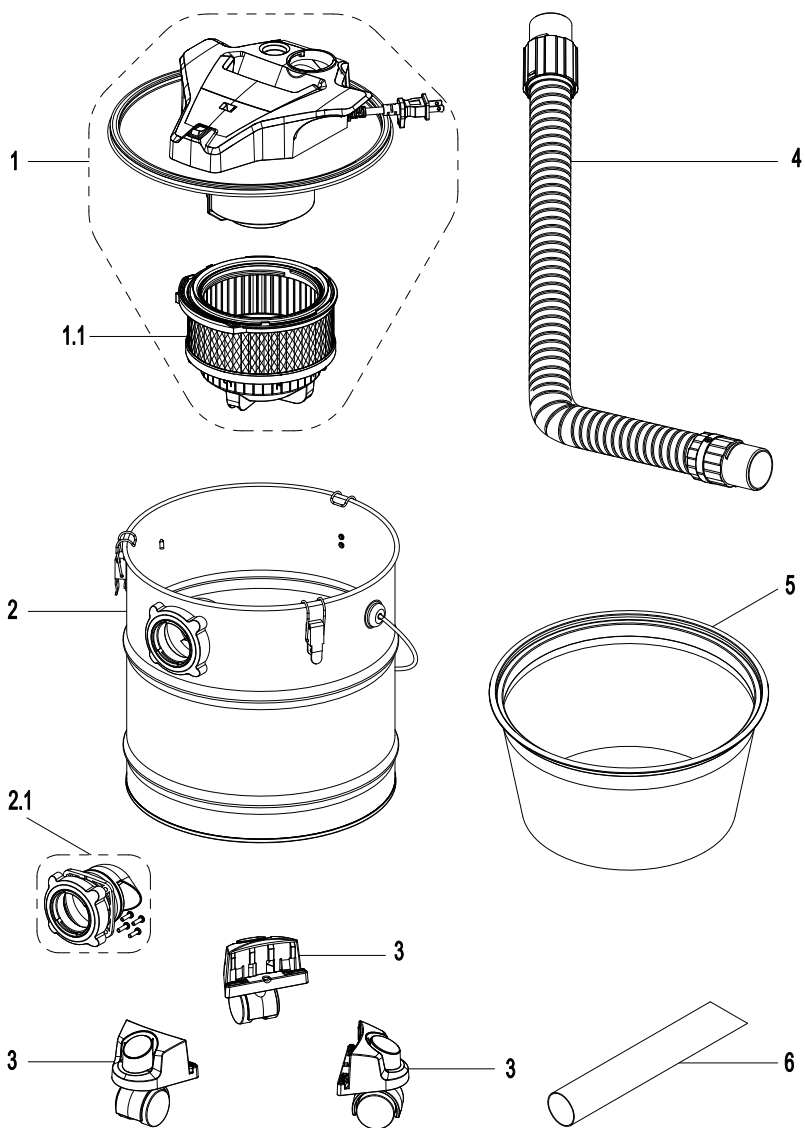
TROUBLESHOOTING



WARNING: TO REDUCE THE RISK OF ELECTRIC SHOCK, UNPLUG BEFORE TROUBLE SHOOTING.

PROBLEM	POSSIBLE CAUSE	SOLUTION
Vacuum will not operate.	No power supply.	Check power supply, cord, breakers, and fuses.
	The ash filter is not installed correctly onto the collection tank cover.	Check the ash filter assembly and make sure it is installed correctly.
	Switch in the wrong position.	Press the ON 'I' button on the powerhead.
	Collection tank is full	Empty the collection tank.
The dust comes out from the motor cover.	The ash filter or pre-filter is damaged.	Reinstall or replace the filter.
Reduced efficiency and motor/speed vibration.	There is a blockage in the hose, or the collection tank inlet. The ash filter or pre-filter is clogged by fine dust.	Check hose and collection tank inlets for blockage. Take off the filter and clean it. Or install a new ash filter or pre-filter.

EXPLODED VIEW



PARTS LIST

Part	Part Number	Description	Quantity
1		Powerhead Assembly	1
1.1	551250103	Ash Filter	1
2		Collection Tank	1
2.1	551166108	Vacuum Port Assembly	1
3	551314102	Casters	3
4	551163108	Hose	1
5	551820102	Pre-Filter	1
6	551163109	Metal Wand	1