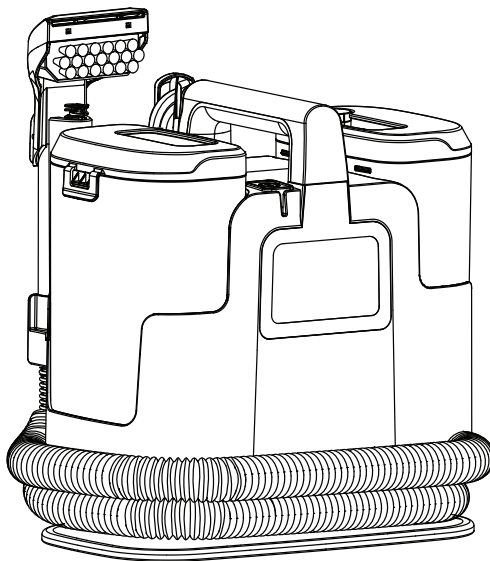




Use & Care Guide
Manual de Uso Y Cuidado
Manuel D'entretien Et D'utilisation



Spot Cleaner / Limpiador de Manchas/Nettoyeur de Taches

Model No / N° de Modelo / Référence de Modèle.
SCB301

www.vacmaster.com

Distributed By / Distribuido Por / Distribué Par:
Suzhou Cleva Electric Appliance Co., Ltd.

No.8 Ting Rong Street
Suzhou Industrial Park, Suzhou
Jiangsu Province, China

Made in China



TABLE OF CONTENTS

| SECTION | PAGE |
|--|------|
| Important Safety Instructions..... | 3 |
| Warranty..... | 6 |
| Technical Data..... | 6 |
| Getting To Know Your Spot Cleaner..... | 7 |
| General Assembly Instructions..... | 9 |
| Operating Instructions..... | 12 |
| Maintaining Your Spot Cleaner..... | 18 |
| Troubleshooting..... | 21 |

Thank you for purchasing this Vacmaster® spot cleaner. With it you are obtaining a high-quality product that is engineered for optimal performance.

FOR YOUR SAFETY

Read and understand this manual before use.

Keep this manual and your sales check (receipt) in a safe place for future reference.

IMPORTANT SAFETY INSTRUCTIONS

When using an electrical appliance, basic precautions should always be followed, including the following:

READ ALL INSTRUCTIONS BEFORE USING THIS SPOT CLEANER

Failure to follow the warnings and instructions may result in electric shock, fire and/or serious injury.



WARNING - To reduce the risk of fire, electric shock, or injury:

- Use your spot cleaner only as described in this Use & Care Guide. Use only manufacturer's recommended attachments.
- Fully assemble before operating.
- Operate spot cleaner only at voltage specified on data plate.
- Do not leave spot cleaner when plugged in. Unplug from outlet when not in use and before performing maintenance.
- Do not expose to rain. Store indoors.
- Do not immerse. Use only on carpet moistened by cleaning process.
- Do not allow to be used as a toy. Close attention is necessary when used by or near children.
- Do not use with a damaged cord or plug. If spot cleaner is not working as it should, has been dropped, damaged, left outdoors, or dropped in water, immediately discontinue use and call Customer Service at 1-866-384-8432 for assistance.
- Do not pull or carry by cord, use cord as a handle, close a door on cord, or pull cord around sharp edges or corners. Do not run spot cleaner over cord. Keep cord away from heated surfaces.
- Do not unplug by pulling on cord. To unplug, grasp the plug, not the cord.
- Do not handle plug or spot cleaner with wet hands.
- Do not put any objects into openings.
- Do not use with any opening blocked; keep free of dust, lint, hair, and anything that may reduce air flow.
- Keep hair, loose clothing, fingers, and all parts of body away from openings and moving parts.
- Turn off all controls before unplugging.
- Use extra care when cleaning on stairs. To avoid personal injury or damage, and to prevent the spot cleaner from falling, always place spot cleaner at bottom of stairs or on floor. Do not place spot cleaner on stairs or furniture, as it may result in injury or damage.
- Do not put on chairs, tables, etc. Keep on floor.

IMPORTANT SAFETY INSTRUCTIONS

- Do not use spot cleaner to pick up flammable or combustible liquids (gasoline, cleaning fluid, perfumes, etc.), or use in areas where they may be present. The fumes from these substances can create a fire hazard or explosion.
- To reduce the risk of health hazards from vapors or dusts, do not vacuum toxic materials.
- Do not use or store near hazardous materials.
- Do not pick up anything that is burning or smoking, such as cigarettes, matches, or hot ashes.
- Do not use spot cleaner without tanks in place.
- Do not clean over floor electrical outlets.
- Do not use the spot cleaner to pick up sharp hard objects, small toys, pins, paper clips, etc. They may damage the spot cleaner or dust cup.
- Do not use sharp objects to clean out hose as they can cause damage.
- To help prevent matting and resoiling, avoid contact with carpets until they are dry. Keep children and pets away from carpets until they are completely dry.
- Do not store the spot cleaner with solution in tanks.
- This spot cleaner is provided with double insulation. Use only identical replacement parts. See DOUBLE INSULATION INSTRUCTIONS.
- You are responsible for making sure that your spot cleaner is not used by anyone unable to operate it properly.



CAUTION: To reduce the risk of injury from moving parts - Unplug before servicing.



WARNING: To reduce the risk of electric shock - Unplug before cleaning or servicing.

SAVE THESE INSTRUCTIONS

Household use only

IMPORTANT SAFETY INSTRUCTIONS

DOUBLE INSULATION INSTRUCTIONS

This Spot Cleaner is double insulated, eliminating the need for a separate grounding system. Use only identical replacement parts. Read the instructions for Servicing Double-Insulated Spot Cleaner before servicing. Use this spot cleaner as described in this manual.

Observe the following warnings that appear on the motor housing of your spot cleaner.



DOUBLE INSULATED - GROUNDING NOT REQUIRED - WHEN SERVICING USE ONLY IDENTICAL REPLACEMENT PARTS.




WARNING: TO REDUCE THE RISK OF ELECTRIC SHOCK - DO NOT EXPOSE TO RAIN. STORE INDOORS.



WARNING: FOR YOUR OWN SAFETY, READ AND UNDERSTAND THE OPERATOR'S MANUAL. DO NOT RUN UNATTENDED. DO NOT PICK UP HOT ASHES, COALS, TOXIC, FLAMMABLE OR OTHER HAZARDOUS MATERIALS. DO NOT USE AROUND EXPLOSIVE LIQUIDS OR VAPORS.



WARNING: SERVICING OF DOUBLE-INSULATED SPOT CLEANER WITH A DOUBLE-INSULATED SPOT CLEANER, TWO SYSTEMS OF INSULATION ARE PROVIDED INSTEAD OF GROUNDING. NO GROUNDING MEANS IS PROVIDED ON A DOUBLE-INSULATED APPLIANCE, NOR SHOULD A MEANS FOR GROUNDING BE ADDED. SERVICING A DOUBLE-INSULATED SPOT CLEANER REQUIRES EXTREME CARE AND KNOWLEDGE OF THE SYSTEM, AND SHOULD BE DONE ONLY BY QUALIFIED SERVICE PERSONNEL. REPLACEMENT PARTS FOR A DOUBLE-INSULATED SPOT CLEANER MUST BE IDENTICAL TO THE PARTS THEY REPLACE. YOUR DOUBLE-INSULATED SPOT CLEANER IS MARKED WITH THE WORDS 'DOUBLE INSULATED' AND THE SYMBOL  (SQUARE WITHIN A SQUARE) MAY ALSO BE MARKED ON THE APPLIANCE.

WARRANTY

FOR ONE YEAR from the date of sale (or, for deliveries in the State of California, one year from the date of delivery), this product is warranted against defects in material or workmanship when it is assembled, operated and maintained according to all supplied instructions.

WITH PROOF OF SALE, a defective appliance will be replaced free of charge. For warranty coverage details to obtain free replacement, visit the web page: www.vacmaster.com or call 1-866-384-8432.

- This warranty does not cover filters or belt, which are expendable parts that can wear out from normal use within the warranty period.
- This warranty is void if this product is ever used for other than private household purposes.
- This warranty gives you specific legal rights, and you may also have other rights which vary from state to state.

TECHNICAL DATA

Spot Cleaner

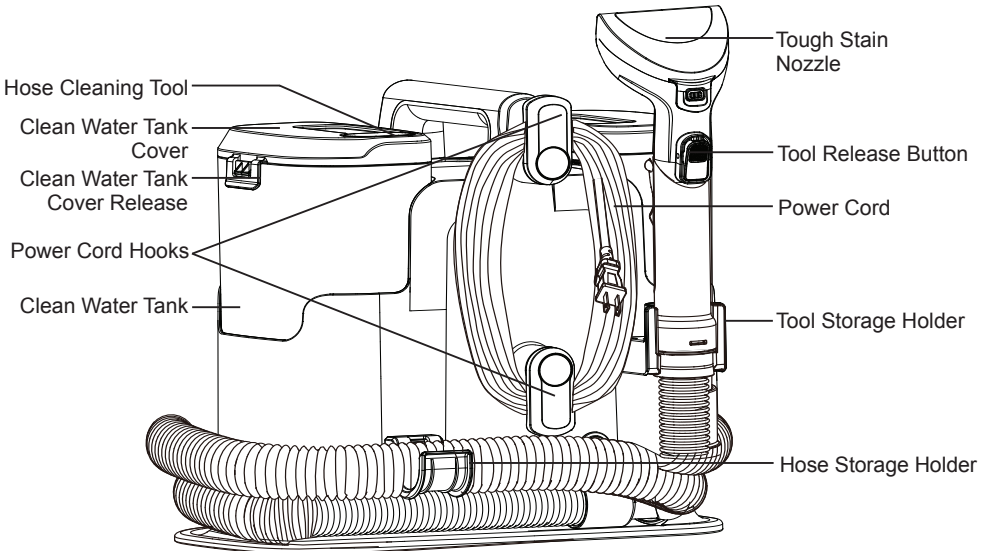
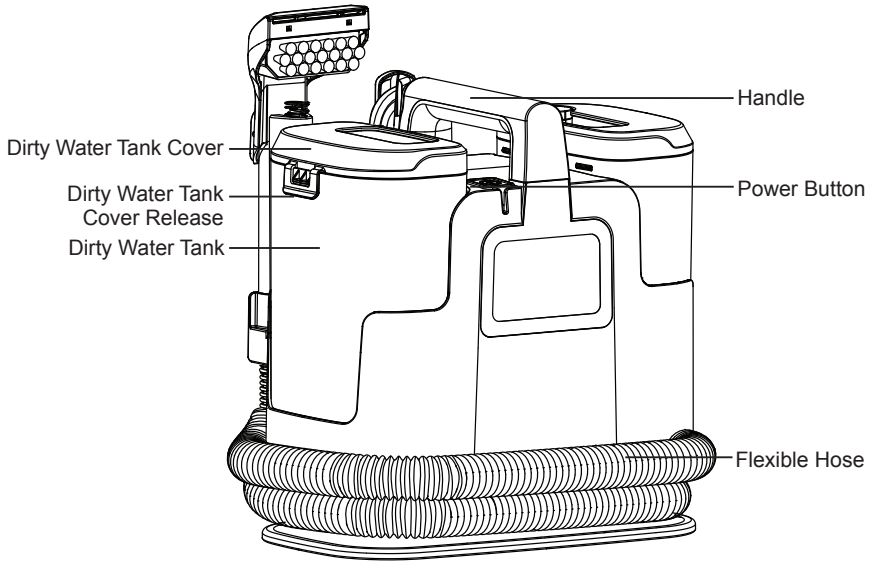
Model: SCB301

Rated Voltage: 120V AC

Rated Frequency: 60Hz

Nominal Current: 3.5A

GETTING TO KNOW YOUR SPOT CLEANER



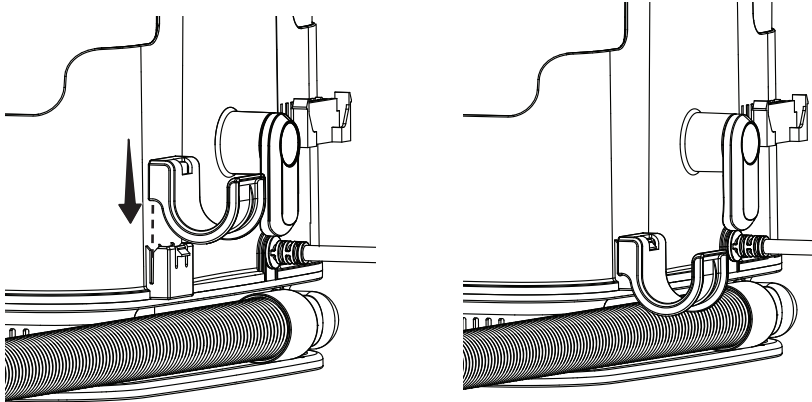
Replacement Parts

| Item | Part No. |
|---------------------|-----------|
| Tool Storage Holder | 671008101 |
| Dirty Water Tank | 671008102 |
| Clean Water Tank | 671008103 |
| Tough Stain Nozzle | 671001107 |
| Hose Storage Holder | 671008104 |

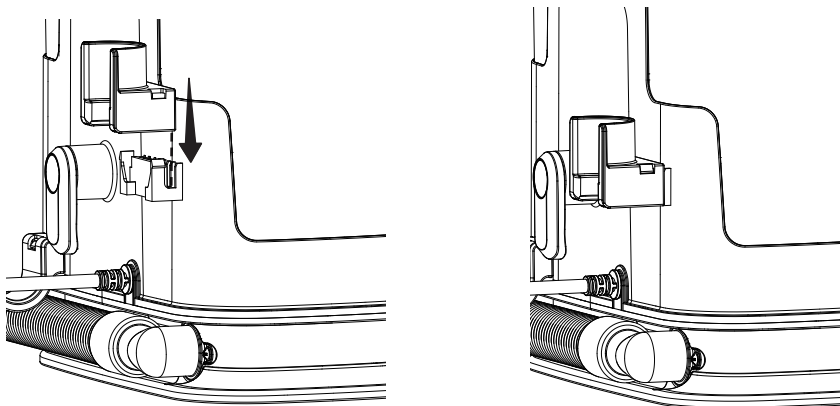
Available online at www.vacmaster.com or call 1-866-384-8432.

GENERAL ASSEMBLY INSTRUCTIONS

1. Align the hose storage holder with the slot as shown. Slide down the hose storage holder until it is secured into place.



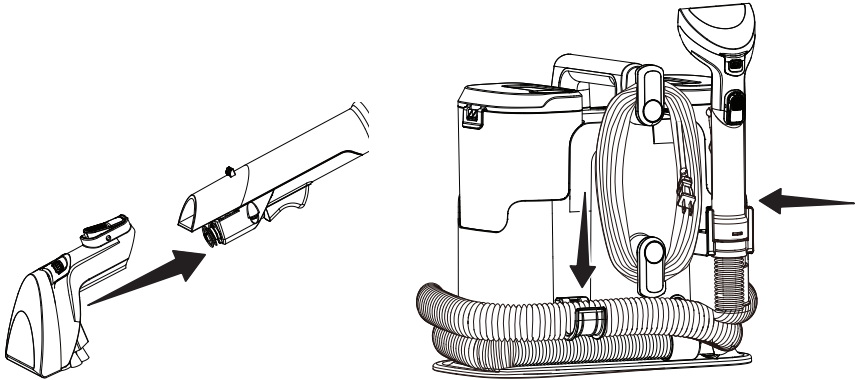
2. Align the tool storage holder with the slot as shown. Slide down the tool storage holder until it is secured into place.



3. Slide the tough stain tool onto the end of the suction hose until it clicks into place.

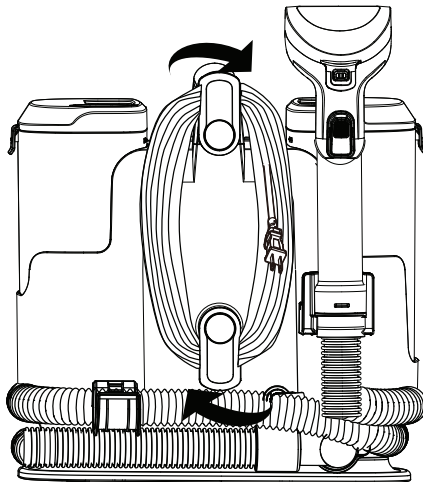
To remove: Press the tool release button and pull away the tough stain tool.

NOTE: Put the flexible hose onto the hose storage holder. Snap the end of the hose with the tool installed into the tool storage holder when not in use.

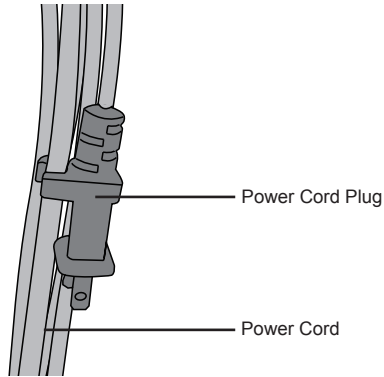


4. Make sure both power cord hooks are in the proper position as shown. Wrap the power cord loosely around the cord hooks.

NOTE: Make sure to wrap the power cord around the lower cord hook first, and then around the upper cord hook to avoid damaging the power cord.



5. Lock power cord plug onto the power cord.



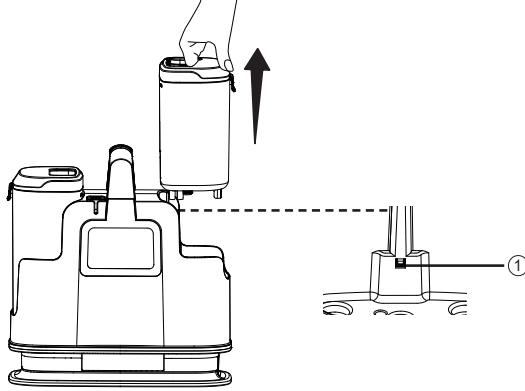
! **WARNING**

Wrapping the cord too tightly with excessive stress on the cord may cause cord damage. A damaged cord is an electrical shock hazard and could cause personal injury or damage.

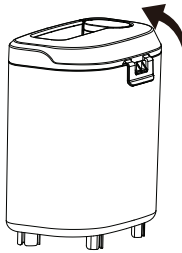
OPERATING INSTRUCTIONS

Filling the Clean Water Tank

1. Lift up the clean water tank from the side of the unit. A security latch (①) is positioned to keep the clean water tank in position to avoid unintentional release. The latch will automatically release when the tank is pulled upwards.



2. Remove the clean water tank cover by undoing the clean water tank cover release.



3. Fill the tank with warm water (Max 104°F (40°C)) and solution. Ensure the correct proportion of water and cleaning solution is used by referring to the solution label.

SMALL CLEANING AREA - 0.8L/0.2G Liquid (②)

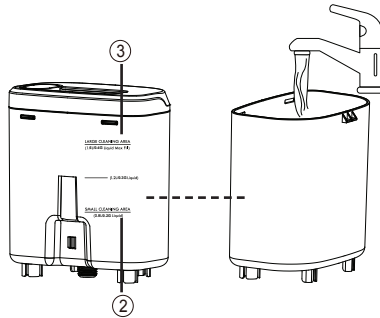
LARGE CLEANING AREA - 1.6L/0.4G Liquid (③)

Do not exceed filling the clean water tank over the maximum fill line indicated on the clean water tank.



CAUTION

Do not fill with water above 104°F (40°C).

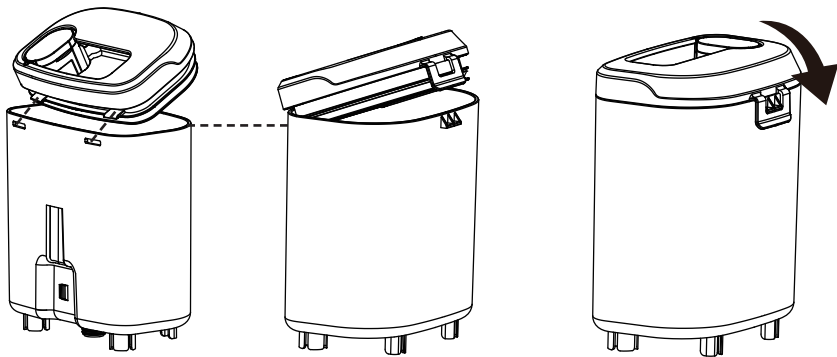


NOTE: A 8oz bottle of solution is provided with this spot cleaner. Ensure the solution and water are mixed correctly. Once the sample is depleted, use only Vacmaster® cleaning solutions (Available online at www.amazon.com) intended for use with this appliance to prevent internal component damage.

CAUTION

The cleaning solution can cause skin and eye irritation. Wash affected area cautiously with water for several minutes. If irritation persists, seek medical attention immediately. Individuals with sensitive skin should wear rubber gloves. Wash hands thoroughly after use. Do not ingest. Keep out of reach of children.

4. Insert the locking tabs into the slots of the clean water tank first and then secure the clean water tank cover back into place until a click is heard.



5. Slide the clean water tank back onto the unit. The security latch will automatically secure once the clean water tank is in position. A click will be heard when correctly installed.

Using the Spot Cleaner

IMPORTANT! Before using the spot cleaner, thoroughly vacuum the area to be cleaned. Always test a small hidden area for colorfastness and pile distortion. Test Colorfastness - Gently rub surface with a dampened white cloth containing cleaning solution. Wait 10 minutes and check for color removal with a white paper towel. If color changes, do not use.

NOTE: To prevent staining, please use plastic, wax paper or aluminum foil to protect wood or metal surfaces from possible water spray.

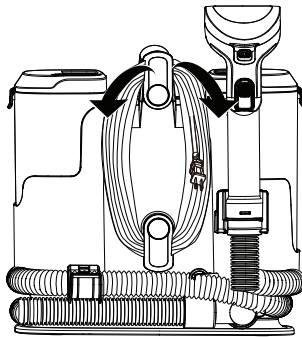
To protect the wooden floors underneath rugs, place protective material (e.g. plastic) underneath them before cleaning.

NOTE: Always refer to and follow the manufactures care guidelines before using spot cleaning solution and spot cleaner.

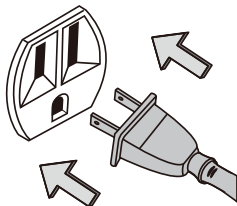
1. Unwrap the hose from the unit. Make sure the tough stain nozzle is attached securely.

NOTE: The tough stain nozzle can be used for cleaning carpet stains, furniture and other hard-to-reach surfaces.

2. Turn the power cord hooks inward from either side to release the power cord.



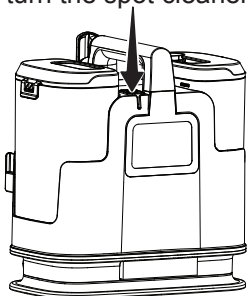
3. Detach the power cord plug from the power cord.
4. Plug the power cord plug into an outlet located near the floor.



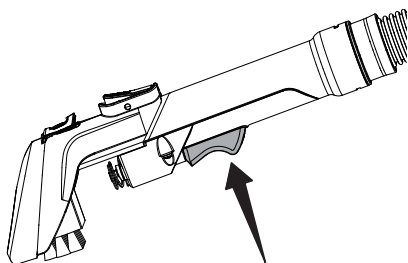
WARNING

To reduce the risk of electric shock, this appliance has a polarized plug (one blade is wider than the other). This plug will fit in a polarized outlet only one way. If the plug does not fit fully in the outlet, reverse the plug. If it still does not fit, contact a qualified electrician to install the proper outlet. Do not change the plug in any way.

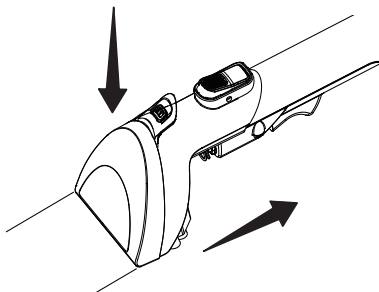
5. Press the power button to turn the spot cleaner on.



6. Hold the tool about 1 inch over the stain to be cleaned. Squeeze the spray trigger to spray a generous amount of cleaning solution over the soiled area. Use the brush on the tool to agitate stains by scrubbing in a back and forth motion.



7. To lift away the stain, apply downward pressure on the front of the cleaning tool and pull the tool backward slowly to vacuum up excess dirty liquids. Repeat as necessary.

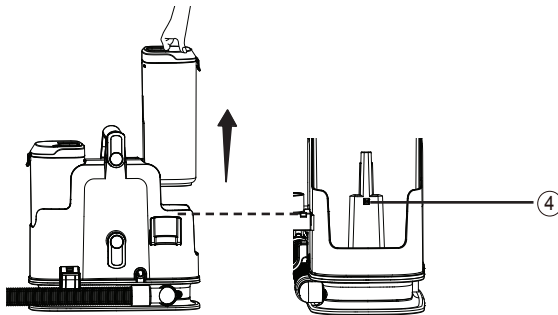


8. Empty the dirty water tank when the dirty liquid reaches the "Max Fill" line and there is a loss in suction. See instructions in the Emptying the Dirty Water Tank (page 16-17).
9. Once you have completed cleaning, press the power button; unplug the power cord plug from the outlet.
10. Turn the power cord hooks to the proper position and wrap the cord loosely around the power cord hooks.

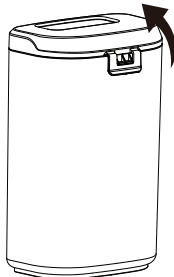
Emptying the Dirty Water Tank

Empty the dirty water tank when the dirty liquid reaches the "Max Fill" line and there is a loss in suction. During normal use, debris may accumulate in the dirty water tank. In order to keep the spot cleaner functioning properly, rinse out the dirty water tank with clean water after each use.

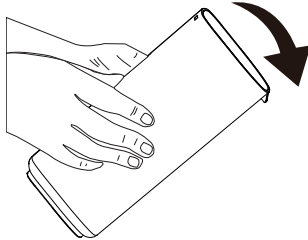
1. Lift up the dirty water tank from the side of the unit. A security latch (④) is positioned to keep the dirty water tank in position to avoid unintentional release. The latch will automatically release when the tank is pulled upwards.



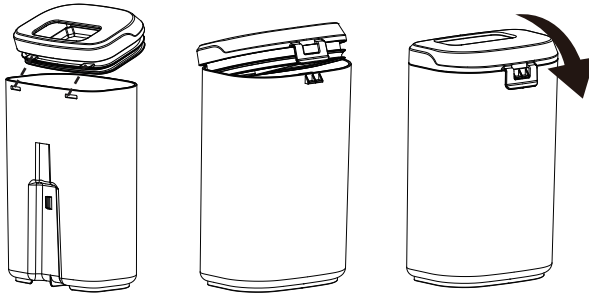
2. Remove the dirty water tank cover by undoing the dirty water tank cover release.



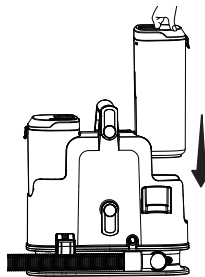
3. Empty the tank into a sink or toilet. Rinse the tank thoroughly with clean water. If continuing to use after emptying the dirty water tank, be sure to dry the outside of the tank before reinstalling.



4. Insert the locking tabs into the slots of the dirty water tank first and then secure the dirty water tank cover back into place until a click is heard.



5. Reinstall the dirty water tank back onto the unit. The security latch will automatically secure the dirty water tank in position. A click will be heard when correctly installed.



! WARNING

The motor noise changes to a higher pitch when the dirty water tank is full or blocked. Stop the spot cleaner immediately and empty the dirty water tank.

MAINTAINING YOUR SPOT CLEANER

CAUTION

To reduce the risk of shock, turn off and disconnect the power cord before performing any service or maintenance.

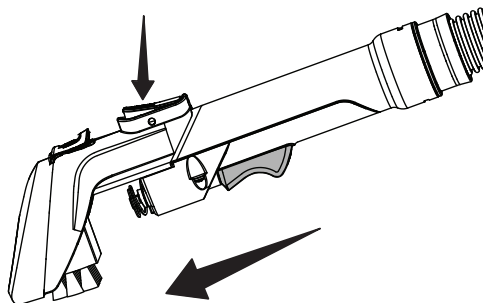
Cleaning Exterior and Attachments

1. Turn off and unplug spot cleaner. DO NOT drip water on spot cleaner.
2. To clean exterior, or to reduce static electricity and dust build-up, wipe outer surface with a clean, damp and soft cloth. Wipe dry after cleaning.

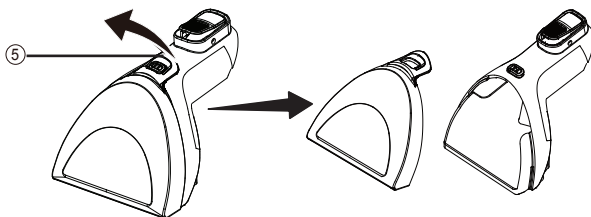
Cleaning the Tough Stain Nozzle

It is recommended to clean the tough stain nozzle with water after each use.

1. Press the tool release button to remove the attachment from the hose.



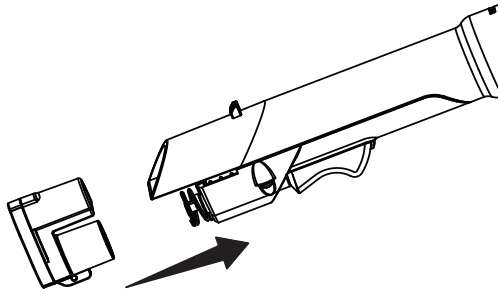
2. Pull up the cover release tab (5) on the nozzle to remove the cover.



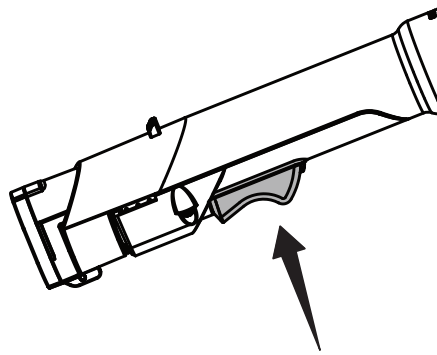
3. Rinse thoroughly with clean water. Allow the parts to dry before reinstalling.
4. Reinstall the nozzle cover and then insert back into place until a click is heard.

Hose Cleaning Tool

1. Remove the clean water tank and fill with warm water (Max 40°C).
2. Attach the hose cleaning tool to the suction hose. Ensure the tough stain nozzle is removed.



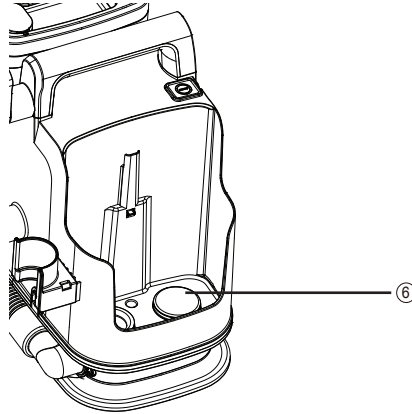
3. Make sure both the clean water and dirty water tanks are secured on the unit.
4. Press the power button to turn the spot cleaner on and hold the spray trigger for 30 seconds. The clean water will rush through the suction hose, effectively cleaning and removing any trapped dirt and debris in the hose which may build up over time. Repeat as needed. Let the machine run for 5-10 seconds before turning off.



5. Turn off and unplug spot cleaner.

Cleaning the Filter Grill

1. Remove the dirty water tank from the side of the unit.
2. Remove any dirt and debris from the filter grill (6) as shown.



Storage



WARNING

Wrapping the power cord too tightly puts stress on the cord and could cause damage. A damaged cord is an electrical shock hazard and could cause personal injury or damage.

1. Replace suction hose and attachments in storage position.
2. Wrap the power cord loosely around the cord hooks. Attach plug retainer clip onto the power cord.
3. Empty the clean water tank (if necessary). Rinse it out before replacing on the unit. Open the clean water tank cap to allow it to air dry.
4. Empty the dirty water tank then rinse, clean and dry before placing back on the unit.
5. Store the spot cleaner in a dry and cool indoor area.

TROUBLESHOOTING

Should you have any problem(s) with your vacuum cleaner, review the table below for solutions to minor performance issues.

WARNING

Disconnect electrical supply before performing maintenance to the spot cleaner. Failure to do so could result in electrical shock or personal injury.

| PROBLEM | POSSIBLE CAUSE | SOLUTION |
|--------------------------------------|--|--|
| The spot cleaner is not operational. | Unplugged at power outlet. | Plug in firmly to suitable power outlet. |
| | Defective power outlet. | Check with a good appliance. Be sure the power cord plug is fully plugged into an electrical outlet. |
| | The motor is damaged. | Have the damaged part checked by qualified personnel or contact the after sales helpline 1-866-384-8432. |
| Poor pick-up performance. | Dirty water tank is not installed correctly. | Check the dirty water tank for correct installation. Ensure it is installed in place. |
| | Dirty water tank is full. | Empty the dirty water tank. |
| | The suction hose is clogged. | Clean the hose. |
| | Float valve is activated. | Empty the dirty water tank. |
| Water escapes from the spot cleaner. | Dirty water tank is full. | Empty the dirty water tank. |
| | Dirty water tank is not installed correctly. | Check the dirty water tank for correct installation. Ensure it is installed in place. |
| | Clean water tank is not installed correctly. | Check the clean water tank for correct installation. Ensure it is installed in place. |

| PROBLEM | POSSIBLE CAUSE | SOLUTION |
|--|---|--|
| No solution spraying out. | Clean water tank is empty. | Fill the clean water tank. |
| | Clean water tank is not installed correctly. | Check the clean water tank for correct installation. Ensure it is installed in place. |
| Hose nozzle will not spray after filling the clean water tank. | Air is trapped in the pump and hose. | Turn on the spot cleaner. If hose does not spray, prime the pump by lowering the hose down to the floor and hold the trigger for up to 1 minute. |
| Motor noise becomes high-pitched. | Dirty water tank is full. | Empty the dirty water tank. |
| | The suction hose is clogged. | Clean the hose. |
| | The float in the dirty water tank has been activated. | Empty and clean the dirty water tank. |

TABLA DE CONTENIDO

| SECCIÓN | PÁGINA |
|---|--------|
| Instrucciones de seguridad importantes..... | 3 |
| Garantía..... | 6 |
| Datos Técnicos..... | 6 |
| Conociendo tu Limpiador de Manchas..... | 7 |
| Instrucciones Generales de Ensamblaje..... | 9 |
| Instrucciones de operación..... | 12 |
| Mantenimiento del Limpiador de Manchas..... | 19 |
| Solución de problemas..... | 22 |

Gracias por comprar este Limpiador de Manchas Vacmaster® Con él, está obteniendo un producto de alta calidad diseñado para un rendimiento óptimo.

PARA SU SEGURIDAD

Lea el manual de instrucciones antes de usarlo.

Guarde este manual y el recibo de compra en un lugar seguro para futuras consultas.

INSTRUCCIONES DE SEGURIDAD IMPORTANTES

Al utilizar un aparato eléctrico, siempre se deben seguir precauciones básicas, incluidas las siguientes:

LEA TODAS LAS INSTRUCCIONES ANTES DE UTILIZAR ESTE LIMPIADOR DE MANCHAS

El incumplimiento de las advertencias e instrucciones puede provocar descargas eléctricas, incendios y/o lesiones graves.



ADVERTENCIA - Para reducir el riesgo de incendio, descarga eléctrica o lesiones:

- Use el limpiador de manchas solo como se describe en esta Guía de uso y cuidado. Use solo los accesorios recomendados por el fabricante.
- Ensamble completamente antes de operar.
- Utilice el limpiador de manchas únicamente en el voltaje especificado en la placa de datos.
- No deje el limpiador de manchas enchufado. Desenchúfelo del tomacorriente cuando no esté en uso y antes de realizar el mantenimiento.
- No exponerlo a la lluvia. Almacenar en interiores.
- No lo sumerja. Úselo solo en alfombras humedecidas por el proceso de limpieza.
- No permita que sea usado como juguete. Es necesario estar muy atento al utilizarlo cerca de niños.
- No lo use con un cordón o enchufe dañados. Si el limpiador de manchas no funciona como debería, se ha caído, se ha dañado, se ha dejado al aire libre o se ha caído al agua, deje de usarlo inmediatamente y llame al Servicio al Cliente al 1-866-384-8432 para obtener ayuda.
- No jale ni transporte por el cable, ni use el cable como manija, ni cierre una puerta sobre el cable ni lo jale alrededor de esquinas y bordes afilados. No pase el limpiador de manchas por encima del cable. Mantenga el cable alejado de fuentes de calor.
- No desconecte jalando del cable. Para desconectar, tome por el enchufe, no por el cable.
- No manipule el enchufe ni el aparato con las manos mojadas.
- No coloque ningún objeto dentro de las aberturas.
- No lo use con ninguna abertura bloqueada; mantenga las aberturas libres de polvo, pelusa, cabello y cualquier cosa que pueda reducir el flujo de aire.


INSTRUCCIONES DE SEGURIDAD IMPORTANTES

- Mantenga el cabello, la ropa holgada, los dedos y las partes del cuerpo alejados de las aberturas y partes móviles.
- Apague todos los controles antes de desconectar.
- Tenga mucho cuidado al limpiar escaleras. Para evitar lesiones personales o daños y evitar que el limpiador de manchas se caiga, siempre colóquelo al pie de las escaleras o en el piso. No coloque el limpiador de manchas en escaleras o muebles, ya que puede provocar lesiones o daños.
- No lo coloque sobre sillas, mesas, etc. Manténgalo en el piso.
- No use el limpiador de manchas para recoger materiales inflamables o combustibles (líquido para limpieza, gasolina, perfumes, etc.) ni lo use en áreas donde estos puedan estar presentes. Los vapores de estas sustancias pueden crear riesgo de incendio o explosión.
- Para reducir el riesgo de daños para la salud derivados de vapores o polvos, no aspire materiales tóxicos.
- No lo utilice ni lo almacene cerca de materiales peligrosos.
- No recoja nada que esté ardiendo o humeando, como cigarrillos, fósforos o cenizas calientes.
- No use el limpiador de manchas sin los tanques colocados.
- No limpie los enchufes eléctricos que se encuentran sobre el piso.
- No use el limpiador de manchas para recoger objetos duros y afilados, juguetes pequeños, alfileres, clips, etc. Podrían dañar el limpiador de manchas o el recipiente para el polvo.
- No use objetos afilados para limpiar la manguera, ya que pueden causar daños.
- Para ayudar a evitar que se enreden y se vuelvan a ensuciar, evite el contacto con las alfombras hasta que estén secas. Mantenga a los niños y mascotas alejados de las alfombras hasta que estén completamente secas.
- No guarde el limpiador de manchas con solución en los tanques.
- Este limpiador de manchas está provisto con doble aislamiento. Use únicamente piezas de repuesto idénticas. Ver INSTRUCCIONES SOBRE EL DOBLE AISLAMIENTO.
- Usted es responsable de asegurarse de que el limpiador de manchas no sea usado por nadie que no pueda operarlo correctamente.



PRECAUCIÓN: Para reducir el riesgo de lesiones causadas por piezas móviles, desconéctelo antes de darle mantenimiento.

INSTRUCCIONES DE SEGURIDAD IMPORTANTES

 **ADVERTENCIA:** Para reducir el riesgo de descarga eléctrica: desenchúfelo antes de limpiarlo o realizarle mantenimiento.

GUARDE ESTAS INSTRUCCIONES

Sólo para uso doméstico


INSTRUCCIONES SOBRE EL DOBLE AISLAMIENTO.



Este limpiador de manchas tiene doble aislamiento, lo que elimina la necesidad de un sistema de conexión a tierra independiente. Use únicamente piezas de repuesto idénticas. Lea las instrucciones de Mantenimiento del Limpiador de Manchas con Doble Aislamiento antes de realizar el servicio. Use este limpiador de manchas solo como se describe en este manual.

Observe las siguientes advertencias que aparecen en la carcasa del motor del limpiador de manchas.

 **DOBLE AISLAMIENTO - NO SE REQUIERE CONEXIÓN A TIERRA, AL REALIZAR EL MANTENIMIENTO USE SÓLO PIEZAS DE REPUESTO IDÉNTICAS.**

 **ADVERTENCIA : PARA REDUCIR EL RIESGO DE DESCARGA ELÉCTRICA, NO LO EXPONGA A LA LLUVIA. ALMACENAR EN INTERIORES.**

 **ADVERTENCIA : PARA SU PROPIA SEGURIDAD, LEA Y ENTIENDA EL MANUAL DEL OPERADOR. NO LO OPERE DESATENDIDO. NO RECOJA CENIZAS CALIENTES, CARBONES, MATERIALES TÓXICOS, INFLAMABLES NI OTROS MATERIALES PELIGROSOS. NO LO USE CERCA DE LÍQUIDOS O VAPORES EXPLOSIVOS.**

 **ADVERTENCIA : MANTENIMIENTO DEL LIMPIADOR DE MANCHAS CON DOBLE AISLAMIENTO**
CON UN LIMPIADOR DE MANCHAS CON DOBLE AISLAMIENTO, SE PROPORCIONAN DOS SISTEMAS DE AISLAMIENTO EN LUGAR DE CONEXIÓN A TIERRA. NO SE PROPORCIONAN MEDIOS DE PUESTA A TIERRA EN UN APARATO CON DOBLE AISLAMIENTO, NI SE DEBE AÑADIR UN MEDIO PARA PUESTA A TIERRA. EL MANTENIMIENTO DE UN LIMPIADOR DE MANCHAS CON DOBLE AISLAMIENTO REQUIERE EXTREMO CUIDADO Y CONOCIMIENTO DEL SISTEMA Y DEBE REALIZARLO ÚNICAMENTE PERSONAL DE MANTENIMIENTO CALIFICADO. LAS PIEZAS DE REPUESTO PARA UN LIMPIADOR DE MANCHAS CON DOBLE AISLAMIENTO DEBEN SER IDÉNTICAS A LAS PIEZAS QUE REEMPLAZA. SU LIMPIADOR DE MANCHAS CON DOBLE AISLAMIENTO ESTÁ MARCADO CON LAS PALABRAS "DOBLE AISLAMIENTO" Y EL SÍMBOLO  (CUADRADO DENTRO DE UN CUADRADO) TAMBIÉN PUEDE ESTAR MARCADO EN EL APARATO.

GARANTÍA

POR UN AÑO a partir de la fecha de venta (o, para entregas en el estado de California, un año a partir de la fecha de entrega), este producto está garantizado contra defectos de material o mano de obra cuando se ensambla, opera y mantiene de acuerdo con todas las instrucciones suministradas.

CON EL COMPROBANTE DE VENTA, un aparato defectuoso se cambiará sin costo.

Para conocer los detalles de la cobertura de la garantía y obtener un reemplazo gratuito, visite la página web: www.vacmaster.com o llame al 1-866-384-8432.

- Esta garantía no cubre los filtros o bandas que son piezas fungibles que pueden desgastarse por el uso normal dentro del período de garantía.
- Esta garantía es nula si este producto se utiliza para fines que no sean domésticos.
- Esta garantía le otorga derechos legales específicos, y también puede tener otros derechos que varían de un estado a otro.

DATOS TÉCNICOS

Limpiador de Manchas

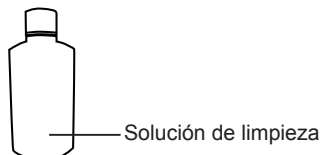
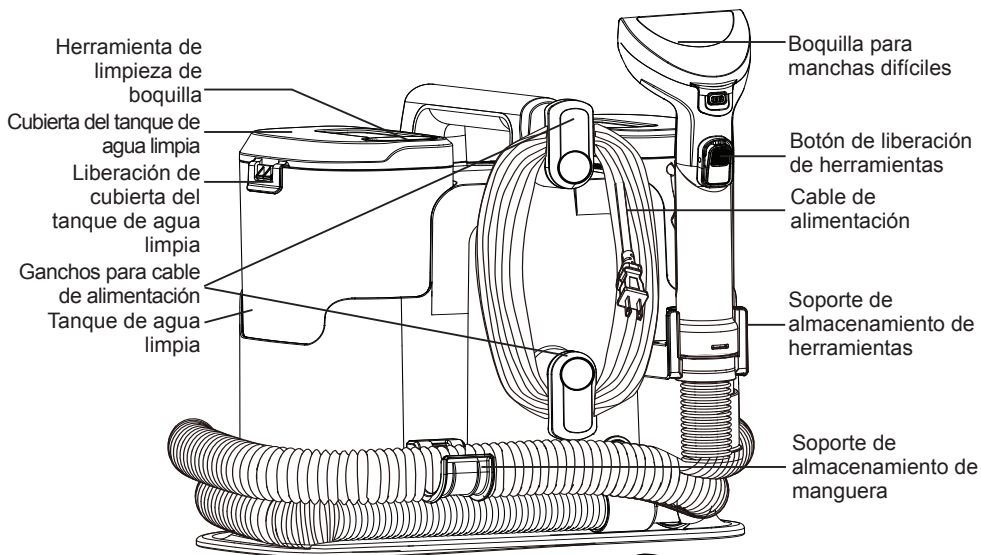
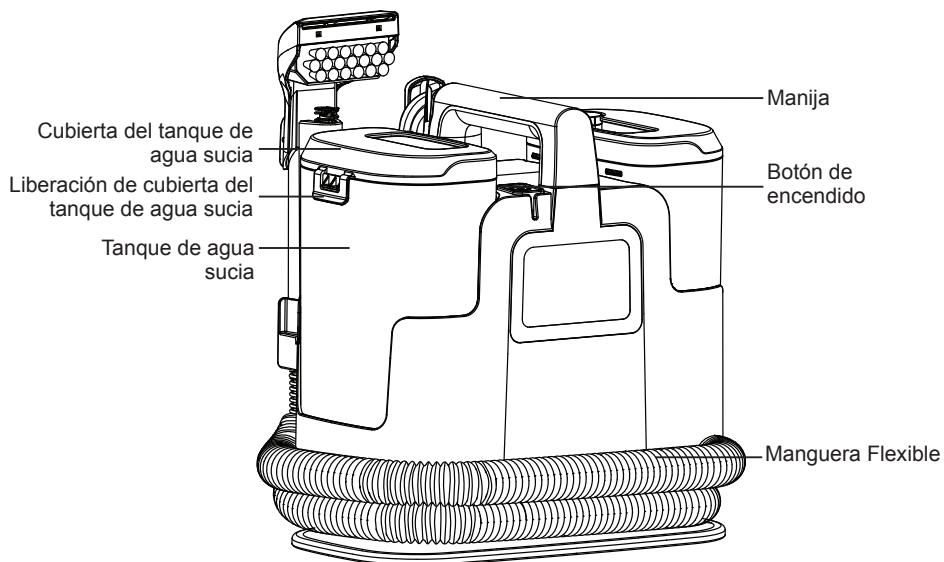
Modelo: SCB301

Voltaje nominal: 120 V CA.

Frecuencia nominal: 60 Hz

Corriente nominal: 3.5 A

CONOCIENDO TU LIMPIADOR DE MANCHAS



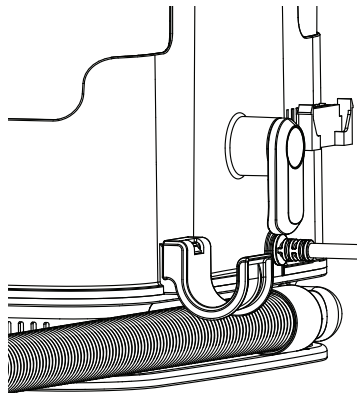
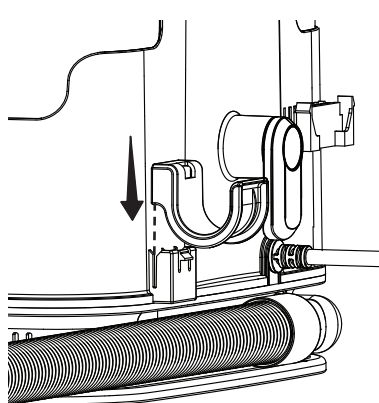
Piezas de repuesto

| Artículo | Pieza N.º. |
|---|------------|
| Soporte de almacenamiento de herramientas | 671008101 |
| Tanque de agua sucia | 671008102 |
| Tanque de agua limpia | 671008103 |
| Boquilla para manchas difíciles | 671001107 |
| Soporte de almacenamiento de manguera | 671008104 |

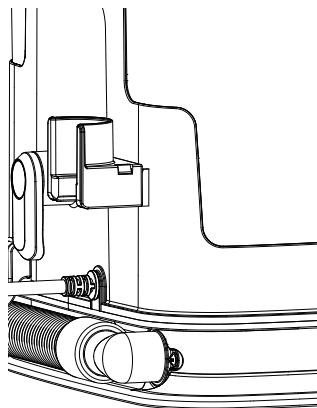
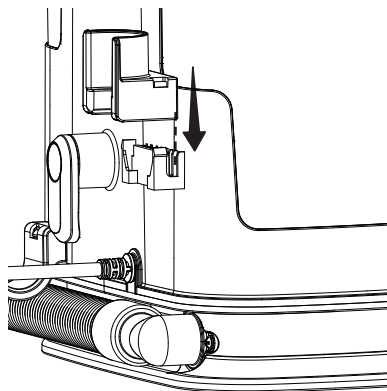
Disponible en línea en www.vacmaster.com o llame al 1-866-384-8432.

INSTRUCCIONES GENERALES DE ENSAMBLAJE

1. Alinee el soporte de almacenamiento de la manguera con la ranura como se muestra. Deslice hacia abajo el soporte de almacenamiento de la manguera hasta que encaje en su lugar.



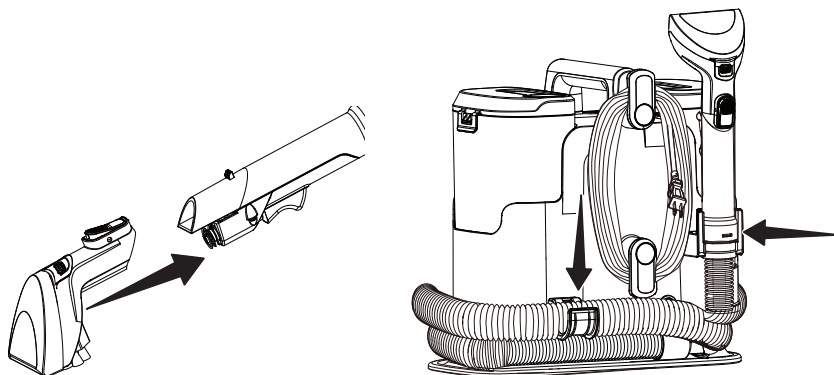
2. Alinee el soporte de almacenamiento de herramientas con la ranura como se muestra. Deslice hacia abajo el soporte de almacenamiento de herramientas hasta que encaje en su lugar.



3. Inserte la herramienta para manchas difíciles en el extremo de la manguera de succión hasta que esté asegurada en su lugar.

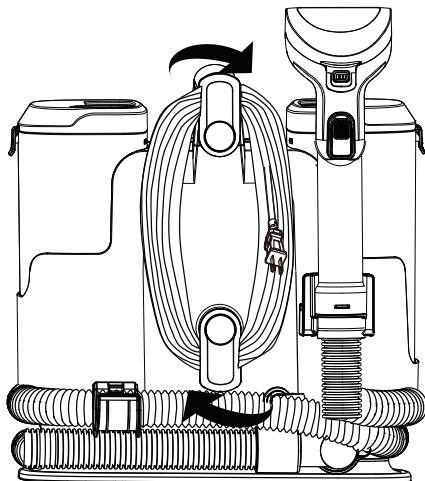
Para remover: Presione el botón de liberación de la herramienta y tire de la herramienta para manchas difíciles.

NOTA: Coloque la manguera flexible en el soporte de almacenamiento de la manguera. Coloque el extremo de la manguera con la herramienta instalada en el soporte de almacenamiento de herramientas cuando no esté en uso.

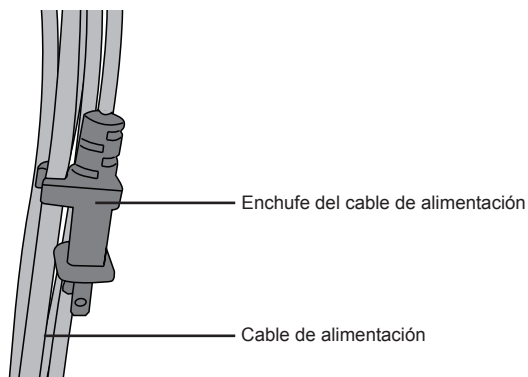


4. Asegúrese de que ambos ganchos del cable de alimentación estén en la posición adecuada, como se muestra. Enrolle el cable de alimentación sin apretar alrededor de los ganchos para el cable.

NOTA: Asegúrese de enrollar el cable de alimentación alrededor del gancho inferior primero y luego alrededor del gancho superior para evitar dañar el cable de alimentación.



5. Bloquee el enchufe del cable de alimentación en el mismo cable.



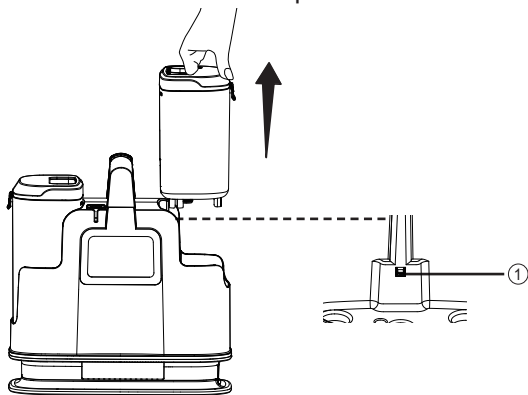
ADVERTENCIA

Envolver el cable con demasiada fuerza, ejerciendo una tensión excesiva sobre él, puede provocar daños en el mismo. Un cable dañado representa un riesgo de descarga eléctrica y podría causar lesiones personales o daños.

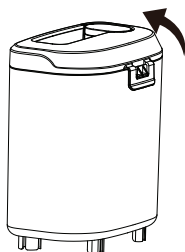
INSTRUCCIONES DE OPERACIÓN

LLENADO DEL TANQUE DE AGUA LIMPIA

1. Levante el tanque de agua limpia desde el costado de la unidad. Se coloca un pestillo de seguridad (①) para mantener el tanque de agua limpia en su posición y evitar que se suelte involuntariamente. El pestillo se soltará automáticamente cuando se tire del tanque hacia arriba.



2. Remueva la cubierta del tanque de agua limpia aflojando el mecanismo de liberación de la cubierta del tanque de agua limpia.



3. Llene el tanque con agua tibia (máx. 104 °F (40 °C)) y solución. Asegúrese de que se utiliza la proporción correcta de agua y de solución de limpieza, consulte para ello la etiqueta de la solución.

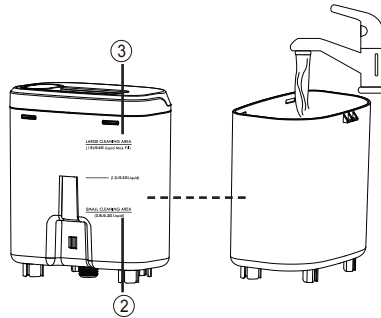
ÁREA DE LIMPIEZA PEQUEÑA: Líquido 0,8 L/0,2 G (②)

ÁREA DE LIMPIEZA GRANDE: Líquido 1,6 L/0,4 G (③)

No exceda el llenado del tanque de agua limpia por encima de la línea de llenado máximo indicada en el tanque de agua limpia.

PRECAUCIÓN

No llene con agua a más de 104 °F (40 °C).

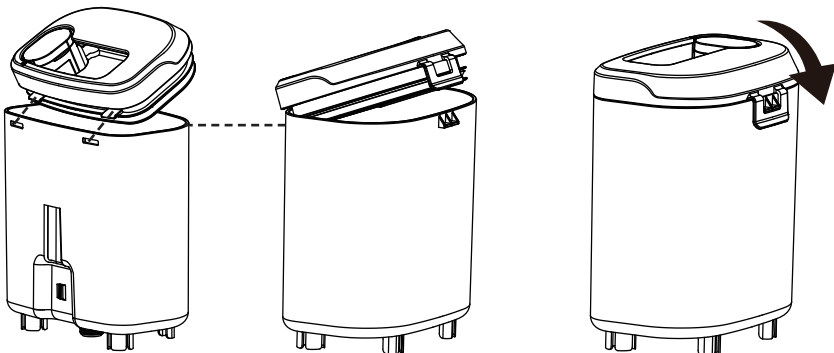


NOTA: Con este limpiador de manchas se proporciona una botella de solución de 8 oz. Asegúrese de que la solución limpiadora y el agua se mezclen en la proporción correcta. Una vez agotada la muestra, use únicamente soluciones de limpieza Vacmaster® (Disponible en línea en www.amazon.com) diseñadas para usarlas con este aparato para evitar daños a los componentes internos.

PRECAUCIÓN

La solución limpiadora puede causar irritación en la piel y en los ojos. Lave cuidadosamente el área afectada con agua durante varios minutos. Si la irritación persiste, busque asistencia médica inmediata. Las personas con piel sensible deben usar guantes de goma. Lávese las manos exhaustivamente después de usarla. No ingerir. Mantener fuera del alcance de los niños.

- Primero inserte las pestañas de bloqueo en las ranuras del tanque de agua limpia y luego asegure la cubierta del tanque de agua limpia en su lugar hasta que escuche un clic.



5. Vuelva a instalar el tanque de agua limpia en la unidad. El pestillo de seguridad se asegurará automáticamente una vez que el tanque de agua limpia esté en su posición. Se escuchará un clic cuando lo instale correctamente.

Uso del limpiador de manchas

¡IMPORTANTE! Antes de usar el limpiador de manchas, aspire bien el área a limpiar. Siempre pruebe una pequeña área oculta para comprobar la solidez del color y la distorsión de la felpa.

Pruebe la solidez del color: frote suavemente la superficie con un paño blanco humedecido que contenga solución limpiadora. Espere 10 minutos y verifique la eliminación del color con una toalla de papel blanca. Si el color se modifica, no lo use.

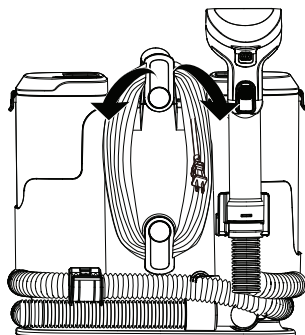
NOTA: Para evitar manchas, utilice plástico, papel encerado o papel de aluminio para proteger las superficies de madera o metal de posibles rociaduras de agua. Para proteger los suelos de madera debajo de las alfombras, coloque material protector (por ejemplo, plástico) debajo de ellas antes de limpiarlas.

NOTA: Consulte y siga siempre las pautas de cuidado del fabricante antes de usar una solución limpiadora de manchas y un limpiador de manchas.

1. Desenrede la manguera de la unidad. Asegúrese de que la boquilla para manchas difíciles esté bien colocada.

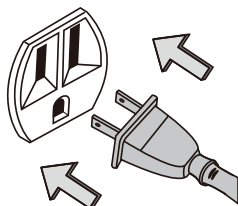
NOTA: La boquilla para manchas difíciles se puede utilizar para limpiar manchas de alfombras, muebles y otras superficies de difícil acceso.

2. Gire los ganchos del cable de alimentación hacia dentro desde ambos lados para soltar el cable de alimentación.



3. Desenchufe el cable de alimentación de la toma de corriente si es necesario.

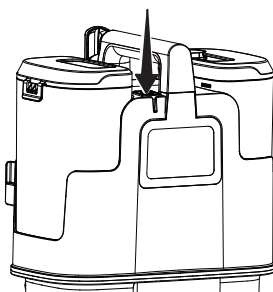
4. Enchufe el cable de alimentación en un tomacorriente ubicado cerca del piso.



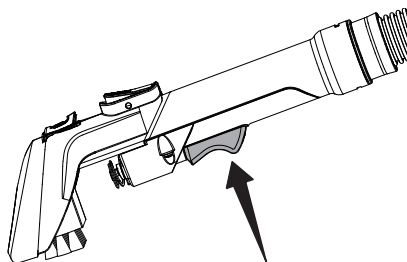
ADVERTENCIA

Para reducir el riesgo de descargas eléctricas, este aparato tiene un enchufe polarizado (una patilla es más ancha que la otra). Este enchufe encajará en un tomacorriente polarizado de una sola manera. Si el enchufe no encaja completamente en el tomacorriente, inviértalo. Si aún no encaja, comuníquese con un electricista calificado para instalar el tomacorriente adecuado. No cambie el enchufe de ninguna manera.

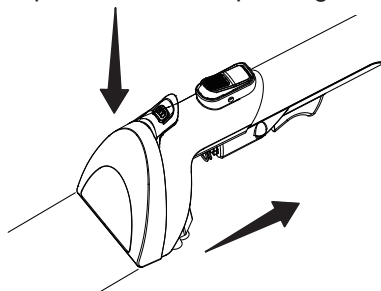
5. Presione el botón de encendido para encender el limpiador de manchas.



6. Sostenga la herramienta aproximadamente 1 pulgada sobre la mancha a limpiar. Apriete el gatillo del rociador para rociar una cantidad generosa de solución limpiadora sobre el área sucia. Utilice el cepillo en la herramienta para remover las manchas frotando en vaivén.



7. Para quitar la mancha, aplique presión hacia abajo en la parte frontal de la herramienta de limpieza y tire de la herramienta hacia atrás lentamente para aspirar el exceso de líquidos sucios. Repita según sea necesario.

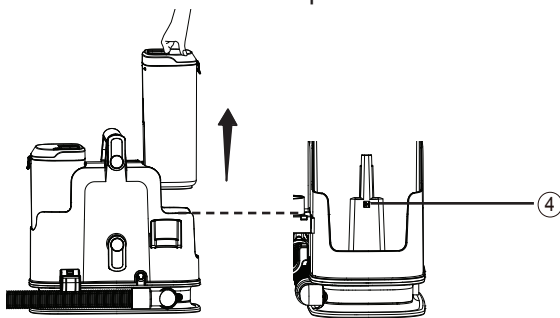


8. Vacíe el tanque de agua sucia cuando el líquido sucio llegue a la línea "Máx. llenado" y haya una pérdida de succión. Consulte las instrucciones en **Vaciar el tanque de agua sucia**. (página 17-18).
9. Una vez que haya terminado de limpiar, presione el botón de encendido; desenchufe el cable de alimentación del tomacorriente.
10. Gire los ganchos del cable de alimentación hacia la posición correcta y enrolle el cable sin apretar alrededor de los ganchos.

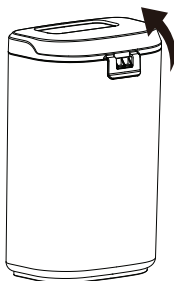
Vaciar el tanque de agua sucia

Vacíe el tanque de agua sucia cuando el líquido sucio llegue a la línea "Máx. llenado" y haya una pérdida de succión. Durante el uso normal, es posible que se acumulen residuos en el tanque de agua sucia. Para que el limpiador de manchas siga funcionando correctamente, enjuague el tanque de agua sucia con agua limpia después de cada uso.

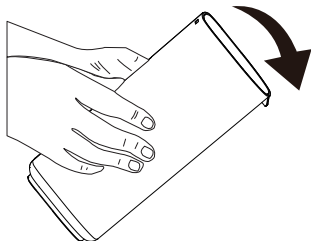
1. Levante el tanque de agua sucia desde el costado de la unidad. Se coloca un pestillo de seguridad (④) para mantener el tanque de agua sucia en su posición y evitar que se suelte involuntariamente. El pestillo se soltará automáticamente cuando se tire del tanque hacia arriba.



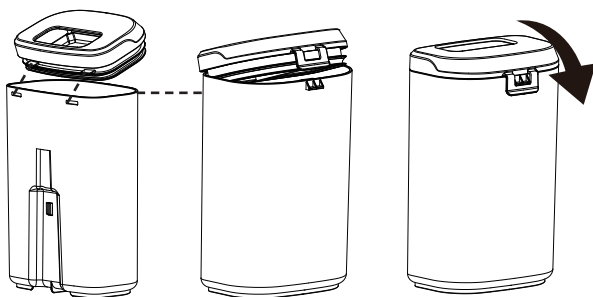
2. Remueva la cubierta del tanque de agua sucia aflojando el mecanismo de liberación de la cubierta del tanque de agua sucia.



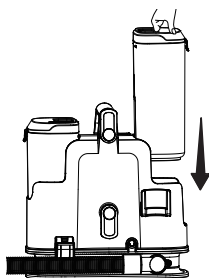
3. Vacíe el tanque en un lavabo o inodoro. Enjuague el tanque a fondo con agua limpia. Si continúa usándolo después de vaciar el tanque de agua sucia, asegúrese de secar el exterior del tanque antes de reinstalarlo.



4. Inserte las pestañas de bloqueo en las ranuras del tanque de agua sucia y luego asegure la cubierta del tanque de agua sucia en su lugar hasta que escuche un clic.



5. Vuelva a instalar el tanque de agua sucia dentro de la unidad. El pestillo de seguridad se asegurará automáticamente una vez que el tanque de agua sucia esté en su posición. Se escuchará un clic cuando lo instale correctamente.



ADVERTENCIA

El ruido del motor cambia a un tono más alto cuando el tanque de agua sucia está lleno o bloqueado. Detenga el limpiador de manchas inmediatamente y vacíe el tanque de agua sucia.

MANTENIMIENTO DEL LIMPIADOR DE MANCHAS

PRECAUCIÓN

Para reducir el riesgo de descarga eléctrica, apague y desconecte el cable de alimentación antes de realizar cualquier servicio o mantenimiento.

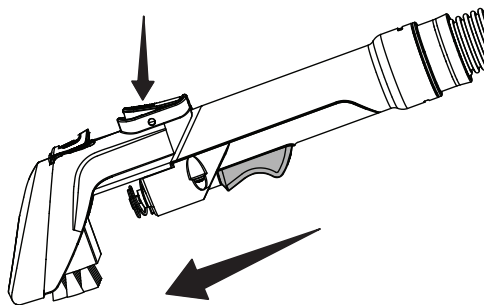
Limpeza del exterior y de los accesorios

1. Apague y desenchufe el limpiador de manchas. NO escurra agua sobre el limpiador de manchas.
2. Para limpiar el exterior o reducir la electricidad estática y la acumulación de polvo, pase por la superficie exterior un paño limpio, húmedo y suave. Seque con un paño después de la limpieza.

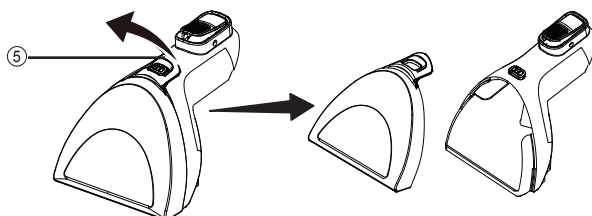
Limpeza de la boquilla para manchas difíciles

Se recomienda limpiar la boquilla para manchas difíciles con agua después de cada uso.

1. Presione el botón de liberación de la herramienta para quitar el accesorio de la manguera.



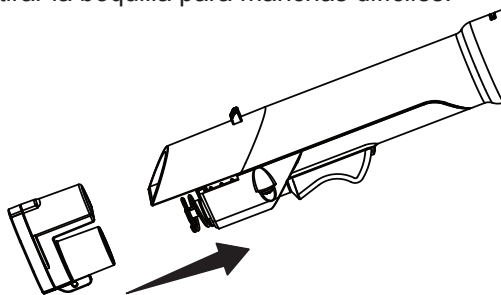
2. Abra la pestaña de liberación de la cubierta (⑤) en la boquilla para quitar la cubierta.



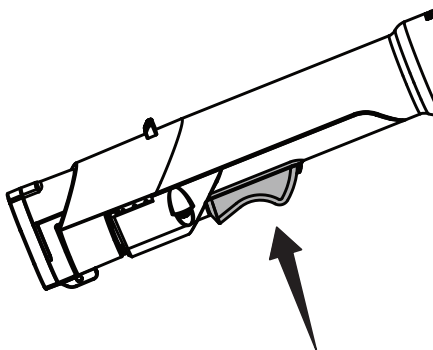
3. Enjuague a fondo con agua limpia. Permita que las piezas se sequen antes de volver a instalarlas.
4. Vuelva a instalar la cubierta de la boquilla y luego vuelva a insertarla en su lugar hasta que escuche un clic.

Herramienta de limpieza de boquilla

1. Remueva el tanque de agua limpia y llénelo con agua tibia (máx. 40 °C).
2. Conecte la herramienta de limpieza de mangueras a la manguera de succión. Asegúrese de retirar la boquilla para manchas difíciles.



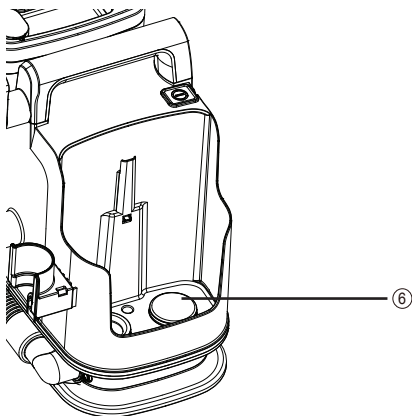
3. Asegúrese de que tanto el tanque de agua limpia como el de agua sucia estén asegurados en la unidad.
4. Presione el botón de encendido para encender el limpiador de manchas y mantenga presionado el gatillo de rociar durante 30 segundos. El agua limpia correrá a través de la manguera de succión, y limpiará y eliminará eficazmente la suciedad y los residuos atrapados en la manguera que hayan podido acumularse con el tiempo. Repita según sea necesario. Deje que la máquina funcione durante 5 a 10 segundos antes de apagarla.



5. Apague y desenchufe el limpiador de manchas.

Limpeza de la Rejilla del Filtro

1. Remueva el tanque de agua sucia del costado de la unidad.
2. Remueva la suciedad y los residuos de la rejilla del filtro (⑥) como se muestra.



Almacenamiento



ADVERTENCIA

Envolver el cable con demasiada fuerza ejerciendo una tensión excesiva sobre él puede provocar daños en el mismo. Un cable dañado representa un riesgo de descarga eléctrica y podría causar lesiones personales o daños.

1. Vuelva a colocar la manguera de succión y los accesorios en la posición de almacenamiento.
2. Enrolle el cable de alimentación sin apretar alrededor de los ganchos para el cable. Coloque el clip de retención del enchufe en el cable de alimentación.
3. Vacíe el tanque de agua limpia (si es necesario). Enjuáguelo antes de volver a colocarlo en la unidad. Abra la cubierta del tanque de agua limpia para permitir que se seque al aire.
4. Vacíe el tanque de agua sucia luego enjuáguelo, límpielo y séquelo antes de volver a colocarlo en la unidad.
5. Guarde el limpiador de manchas en un área interior seca y fresca.

SOLUCIÓN DE PROBLEMAS

Si tiene algún problema con el limpiador de manchas, revise la siguiente tabla para encontrar soluciones a problemas menores de funcionamiento.



ADVERTENCIA

Desconecte el suministro eléctrico antes de realizar el mantenimiento al limpiador de manchas. De lo contrario, podría producirse una descarga eléctrica o lesiones personales.

| PROBLEMA | POSIBLE CAUSA | SOLUCIÓN |
|--|--|--|
| El limpiador de manchas no funciona. | Desconéctelo de la toma de corriente. | Enchúfelo firmemente a una toma de corriente adecuada. |
| | Toma de corriente defectuosa. | Compruébelo con un aparato en buen estado. Asegúrese de que el enchufe del cable de alimentación está completamente enchufado a una toma de corriente. |
| | El motor está dañado. | Haga que personal calificado revise la pieza dañada o comuníquese con la línea de ayuda postventa 1-866-384-8432. |
| Rendimiento de recolección deficiente. | El tanque de agua sucia no está instalado correctamente. | Verifique que el tanque de agua sucia esté instalado correctamente. Asegúrese de que esté instalado en su lugar. |
| | El tanque de agua sucia está lleno. | Vacíe el tanque de agua sucia. |
| | La manguera de succión está obstruida. | Limpie la manguera. |
| | La válvula flotante está activada. | Vacíe el tanque de agua sucia. |

| PROBLEMA | POSIBLE CAUSA | SOLUCIÓN |
|---|---|---|
| El agua escapa del limpiador de manchas. | El tanque de agua sucia está lleno. | Vacíe el tanque de agua sucia. |
| | El tanque de agua sucia no está instalado correctamente. | Verifique que el tanque de agua sucia esté instalado correctamente. Asegúrese de que esté instalado en su lugar. |
| | El tanque de agua limpia no está instalado correctamente. | Verifique que el tanque de agua limpia esté instalado correctamente. Asegúrese de que esté instalado en su lugar. |
| No rocía solución. | El tanque de agua limpia está vacío. | Llene el tanque de agua limpia. |
| | El tanque de agua limpia no está instalado correctamente. | Verifique que el tanque de agua limpia esté instalado correctamente. Asegúrese de que esté instalado en su lugar. |
| La boquilla de la manguera no rocía después de llenar el tanque de agua limpia. | Hay aire atrapado en la bomba y la manguera. | Encienda el limpiador de manchas. Si la manguera no rocía, ceba la bomba bajando la manguera hasta el piso y mantenga presionado el gatillo hasta por 1 minuto. |
| El ruido del motor se vuelve agudo. | El tanque de agua sucia está lleno. | Vacíe el tanque de agua sucia. |
| | La manguera de succión está obstruida. | Limpie la manguera. |
| | Se ha activado el flotador en el tanque de agua sucia. | Vacíe y limpie el tanque de agua sucia. |

TABLE DES MATIÈRES

| SECTION | PAGE |
|--|------|
| Consignes de sécurité importantes..... | 3 |
| Garantie..... | 6 |
| Données techniques..... | 6 |
| Connaître votre Nettoyeur de taches..... | 7 |
| Instructions générales d'assemblage..... | 9 |
| Instructions d'opération..... | 12 |
| L'entretien du Nettoyeur de taches..... | 19 |
| Dépannage..... | 22 |

Nous vous remercions d'avoir acheté le Nettoyeur de taches Vacmaster®. Vous avez un produit de haute qualité, conçu pour des performances optimales.

POUR VOTRE SÉCURITÉ

Lisez et comprenez le manuel d'instructions avant d'utiliser l'appareil.
Conservez ce livre et votre reçu dans un endroit sûr pour pouvoir vous y référer ultérieurement.

CONSIGNES DE SÉCURITÉ IMPORTANTES

Lors de l'utilisation d'un appareil électrique, des précautions de base doivent toujours être respectées, notamment les suivantes :

LIRE TOUTES LES INSTRUCTIONS AVANT D'UTILISER CE NETTOYEUR DE TACHES

Le non-respect des avertissements et des instructions peut entraîner un risque de décharge électrique, d'incendie et/ou de blessures graves.



AVERTISSEMENT - Pour réduire les risques d'incendie, de décharge électrique ou de blessure :

- Utilisez le Nettoyeur de taches uniquement comme décrit dans ce guide d'utilisation et d'entretien. N'utilisez que les accessoires recommandés par le fabricant.
- Assemblez complètement l'appareil avant de l'utiliser.
- Ne faites fonctionner le Nettoyeur de taches qu'à la tension spécifiée sur la plaque signalétique.
- Ne laissez pas le Nettoyeur de taches branché. Débranchez-le lorsqu'il n'est pas utilisé et avant toute opération d'entretien.
- Ne l'exposez pas à la pluie. Rangez-le à l'intérieur.
- Ne l'immergez pas. Ne l'utilisez que sur des tapis humidifiés par le processus de nettoyage.
- Ne permettez pas qu'il soit utilisé comme un jouet. Une attention particulière est nécessaire lorsqu'il est utilisé par ou à proximité d'enfants.
- Ne l'utilisez pas avec un cordon ou fiche endommagé(e). Si le Nettoyeur de taches ne fonctionne pas comme il le devrait, s'il est tombé, s'il a été endommagé, s'il a été laissé à l'extérieur ou s'il est tombé dans l'eau, cessez immédiatement de l'utiliser et appelez le service à la clientèle au 1-866-384-8432 pour obtenir de l'aide.
- Ne le tirez pas par le cordon, ne le transportez pas par le cordon, ne l'utilisez pas par le cordon comme poignée, ne fermez pas une porte sur le cordon et ne tirez pas le cordon autour d'arêtes ou d'angles vifs. Ne faites pas passer le Nettoyeur de taches sur le cordon. Maintenez le cordon à l'écart des surfaces chauffées.
- Ne le débranchez pas en tirant sur le cordon. Pour débrancher l'appareil, saisissez la fiche et non le cordon.
- Ne manipulez pas la fiche ou l'appareil avec des mains mouillées.
- N'introduisez pas d'objets dans les ouvertures.
- N'utilisez pas l'appareil si l'une de ses ouvertures est obstruée; veillez à ce qu'il


CONSIGNES DE SÉCURITÉ IMPORTANTES

soit exempt de poussière, de peluches, de cheveux et de tout ce qui pourrait réduire le débit d'air.

- Tenez les cheveux, les vêtements amples, les doigts et toutes les parties du corps éloignés des ouvertures et des pièces mobiles.
- Désactivez toutes les commandes avant de le débrancher.
- Faites très attention lorsque vous nettoyez dans les escaliers. Pour éviter les blessures et les dommages, et pour empêcher la chute du Nettoyeur de taches, placez toujours le Nettoyeur de taches au bas des escaliers ou sur le plancher. Ne placez pas le Nettoyeur de taches sur les escaliers ou sur les meubles, car vous risqueriez de vous blesser ou d'endommager l'appareil.
- Ne le mettez pas sur des chaises, des tables, etc. Gardez-le sur le plancher.
- N'utilisez pas le Nettoyeur de taches pour aspirer des liquides inflammables ou combustibles (essence, liquide de nettoyage, parfums, etc.) et ne l'utilisez pas dans des endroits où ils peuvent être présents. Les vapeurs de ces substances peuvent créer un risque d'incendie ou d'explosion.
- Pour réduire les risques sanitaires liés aux vapeurs ou aux poussières, n'aspirez pas de matériaux toxiques.
- Ne l'utilisez pas et ne le rangez pas à proximité de matières dangereuses.
- Ne ramassez rien qui brûle ou qui fume, comme des cigarettes, des allumettes ou des cendres.
- N'utilisez pas le Nettoyeur de taches si les réservoirs ne sont pas en place.
- Ne nettoyez pas au-dessus des prises électriques encastrées dans le plancher.
- N'utilisez pas le Nettoyeur de taches pour ramasser des objets durs et pointus, des petits jouets, des épingles, des trombones, etc. Ils risquent d'endommager le Nettoyeur de taches ou le godet à poussière.
- N'utilisez pas d'objets pointus pour nettoyer le tuyau, car ils pourraient l'endommager.
- Pour éviter la formation de plis et le ré-encrassement, évitez tout contact avec les tapis jusqu'à ce qu'ils soient secs. Tenez les enfants et les animaux domestiques à l'écart des tapis jusqu'à ce qu'ils soient complètement secs.
- Ne rangez pas le Nettoyeur de taches avec la solution dans les réservoirs.
- Ce Nettoyeur de taches est doté d'une double isolation. N'utilisez que des pièces de rechange identiques. Voir les INSTRUCTIONS DE DOUBLE ISOLATION.
- Vous êtes tenu de vous assurer que votre Nettoyeur de taches n'est pas utilisé par une personne incapable de l'utiliser correctement.

CONSIGNES DE SÉCURITÉ IMPORTANTES

 **ATTENTION** : Pour réduire le risque de blessure par des pièces en mouvement - Débranchez l'appareil avant de l'entretenir.

 **AVERTISSEMENT** : Pour réduire le risque de décharge électrique - Débranchez l'appareil avant de le nettoyer ou de l'entretenir.

CONSERVEZ CES INSTRUCTIONS

Pour usage domestique uniquement


INSTRUCTIONS DE DOUBLE ISOLATION



Ce Nettoyeur de taches est doublement isolé, ce qui élimine le besoin d'un système de mise à la terre séparé. N'utilisez que des pièces de rechange identiques. Lisez les instructions relatives à l'entretien du Nettoyeur de taches à double isolation avant de procéder à l'entretien. Utilisez ce Nettoyeur de taches comme décrit dans ce manuel.

Respectez les avertissements suivants qui figurent sur le boîtier du moteur du Nettoyeur de taches.

 **DOUBLE ISOLATION - MISE À LA TERRE NON REQUISE - LORS DE L'ENTRETIEN, N'UTILISEZ QUE DES PIÈCES DE RECHANGE IDENTIQUES.**

 **AVERTISSEMENT : POUR RÉDUIRE LE RISQUE DE DÉCHARGE ÉLECTRIQUE - N'EXPOSEZ PAS L'APPAREIL À LA PLUIE. RANGEZ-LE À L'INTÉRIEUR.**

 **AVERTISSEMENT : POUR VOTRE PROPRE SÉCURITÉ, LISEZ ET COMPRENEZ LE MANUEL DE L'OPÉRATEUR. NE FAITES PAS FONCTIONNER L'APPAREIL SANS SURVEILLANCE. NE RAMASSEZ PAS DE CENDRES CHAUDES, DE CHARBONS, DE PRODUITS TOXIQUES, INFLAMMABLES OU D'AUTRES MATIÈRES DANGEREUSES. N'UTILISEZ PAS L'APPAREIL À PROXIMITÉ DE LIQUIDES OU DE VAPEURS EXPLOSIFS.**

 **AVERTISSEMENT : ENTRETIEN DU NETTOYEUR DE TACHES À DOUBLE ISOLATION DANS LE CAS D'UN NETTOYEUR DE TACHES À DOUBLE ISOLATION, DEUX SYSTÈMES D'ISOLATION SONT FOURNIS À LA PLACE DE LA MISE À LA TERRE. AUCUN MOYEN DE MISE À LA TERRE N'EST PRÉVU SUR UN APPAREIL À DOUBLE ISOLATION, ET AUCUN MOYEN DE MISE À LA TERRE NE DOIT ÊTRE AJOUTÉ. L'ENTRETIEN D'UN NETTOYEUR DE TACHES À DOUBLE ISOLATION NÉCESSITE UNE ATTENTION ET UNE CONNAISSANCE EXTRÊMES DU SYSTÈME ET NE DOIT ÊTRE EFFECTUÉ QUE PAR UN PERSONNEL D'ENTRETIEN QUALIFIÉ. LES PIÈCES DE RECHANGE POUR UN NETTOYEUR DE TACHES À DOUBLE ISOLATION DOIVENT ÊTRE IDENTIQUES AUX PIÈCES QU'ELLES REMPLACENT. LE NETTOYEUR DE TACHES À DOUBLE ISOLATION PORTE LA MENTION « DOUBLE ISOLATION » ET LE SYMBOLE  (CARRÉ DANS UN CARRÉ) PEUT ÉGALEMENT ÊTRE APPOSÉ SUR L'APPAREIL.**

GARANTIE

POUR UN AN à compter de la date de vente (ou, pour les livraisons dans l'État de Californie, un an à compter de la date de livraison), ce produit est garanti contre tout défaut de matériau ou de fabrication s'il est assemblé, utilisé et entretenu conformément à toutes les instructions fournies.

SUR PREUVE D'ACHAT, un appareil défectueux sera remplacé gratuitement. Pour connaître les détails de la couverture de la garantie et obtenir un remplacement gratuit, visitez la page Web : www.vacmaster.com ou appelez le 1-866-384-8432.

- Cette garantie ne couvre pas les filtres ou les courroies, qui sont des pièces consommables pouvant s'user dans le cadre d'une utilisation normale au cours de la période de garantie.
- Cette garantie est annulée si ce produit est utilisé à des fins autres que domestiques.
- Cette garantie vous donne des droits légaux spécifiques, et vous pouvez également avoir d'autres droits qui varient d'un état à l'autre.

DONNÉES TECHNIQUES

Nettoyeur de taches

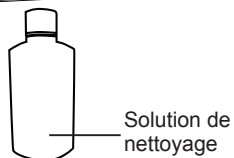
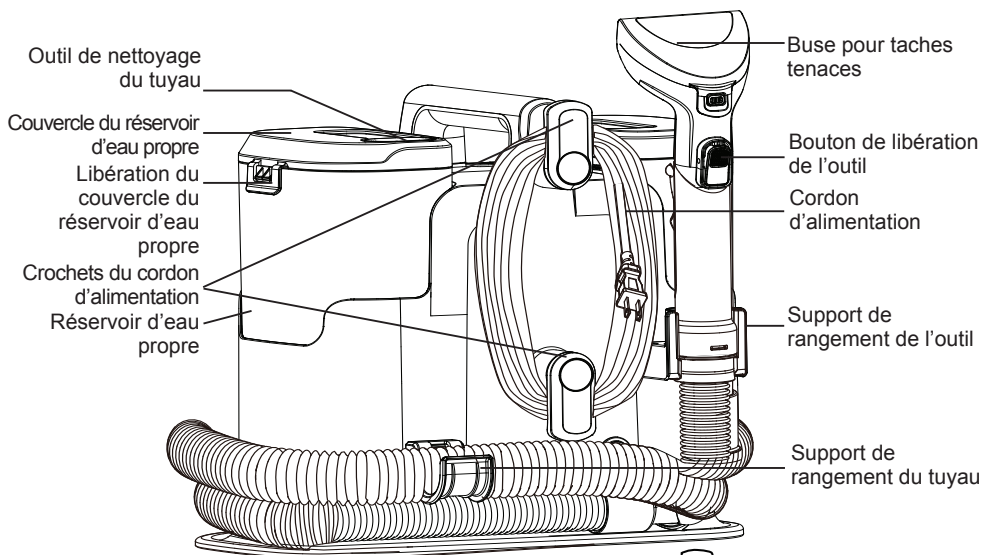
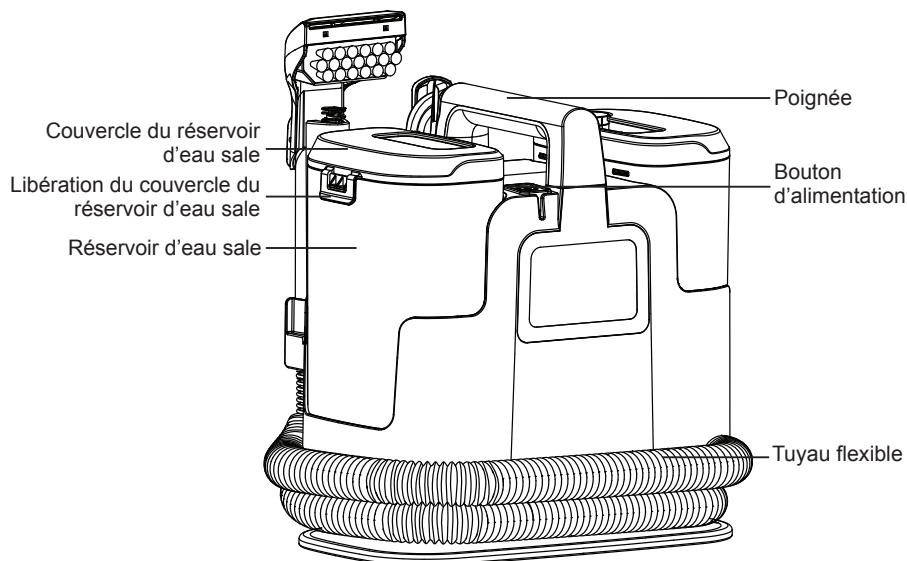
Modèle : SCB301

Tension nominale : 120 V CA

Fréquence nominale : 60 Hz

Courant nominal : 3,5 A

CONNAÎTRE VOTRE NETTOYEUR DE TACHES



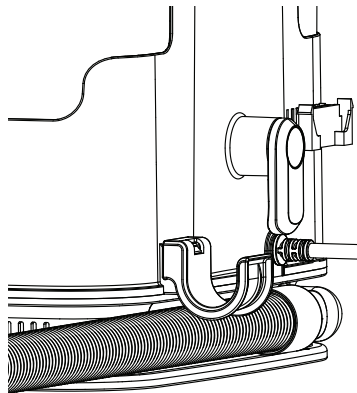
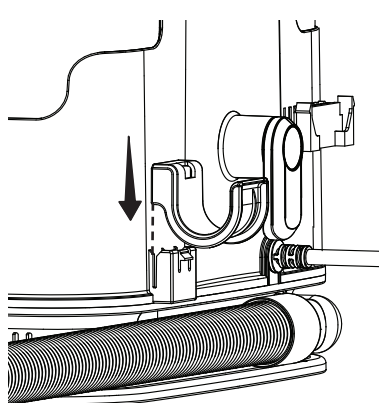
Pièces de rechange

| Article | Pièce n° |
|---------------------------------|-----------|
| Support de rangement de l'outil | 671008101 |
| Réservoir d'eau sale | 671008102 |
| Réservoir d'eau propre | 671008103 |
| Buse pour taches tenaces | 671001107 |
| Support de rangement du tuyau | 671008104 |

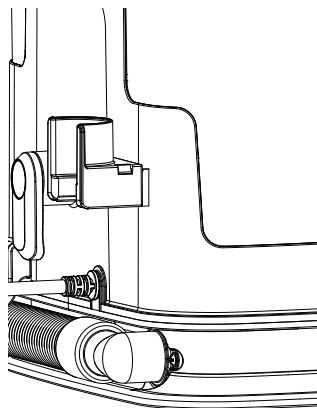
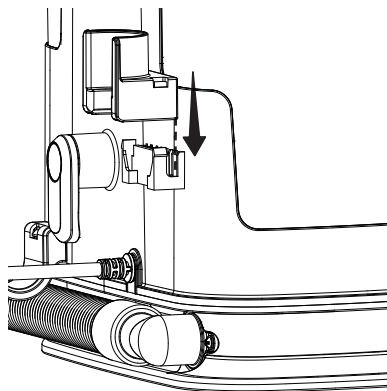
Achetez en ligne à www.vacmaster.com ou appelez le 1-866-384-8432.

INSTRUCTIONS GÉNÉRALES D'ASSEMBLAGE

1. Alignez le support de rangement du tuyau avec la fente, comme indiqué. Faites glisser le support de rangement du tuyau vers le bas jusqu'à ce qu'il soit fixé en place.



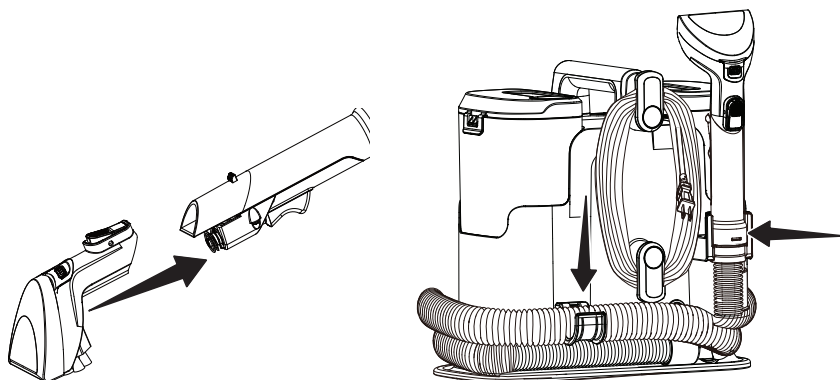
2. Alignez le support de rangement de l'outil avec la fente comme indiqué. Faites glisser le support de rangement de l'outil vers le bas jusqu'à ce qu'il soit fixé en place.



3. Faites glisser l'outil pour taches tenaces sur l'extrémité du tuyau d'aspiration jusqu'à ce qu'il s'enclenche.

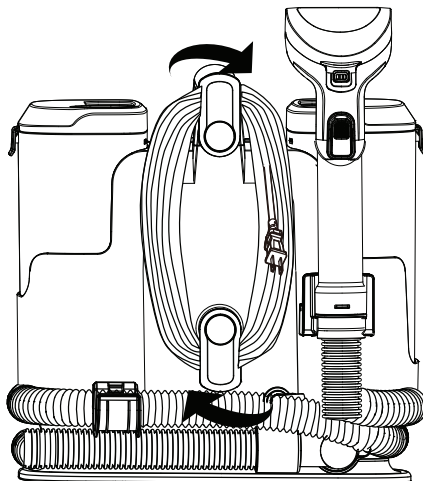
Pour l'enlever : Appuyez sur le bouton de libération de l'outil et sortez l'outil pour taches tenaces.

REMARQUE : Placez le tuyau flexible sur le support de rangement du tuyau. Enclenchez l'extrémité du tuyau avec l'outil installé dans le support de rangement de l'outil lorsque vous ne l'utilisez pas.

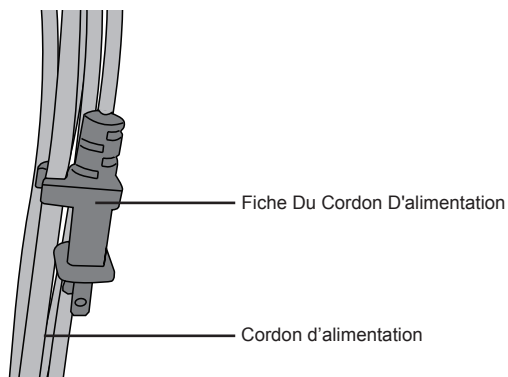


4. Assurez-vous que les deux crochets du cordon d'alimentation sont dans la bonne position, comme illustrée. Enroulez le cordon d'alimentation sans le serrer autour des crochets.

REMARQUE : Assurez-vous d'enrouler le cordon d'alimentation d'abord autour du crochet inférieur, puis autour du crochet supérieur afin d'éviter d'endommager le cordon d'alimentation.



5. Accrochez la fiche du cordon d'alimentation sur le cordon d'alimentation.



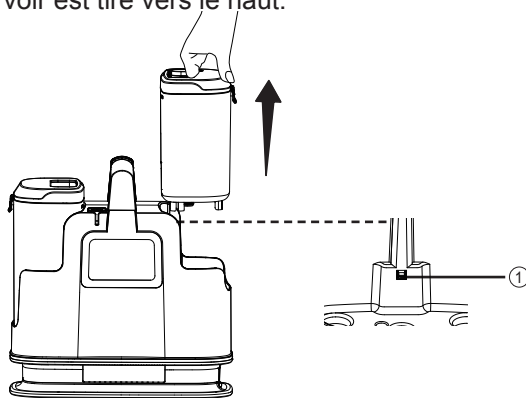
⚠ AVERTISSEMENT

Le fait d'enrouler le cordon trop serré et de le soumettre à une tension excessive peut l'endommager. Un cordon endommagé présente un risque de décharge électrique et peut provoquer des blessures ou des dommages.

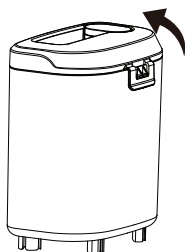
INSTRUCTIONS D'OPÉRATION

Remplissage du réservoir d'eau propre

1. Soulevez le réservoir d'eau propre sur le côté de l'appareil. Un loquet de sécurité (①) est placé pour maintenir le réservoir d'eau propre en position afin d'éviter toute libération involontaire. Le loquet se déverrouille automatiquement lorsque le réservoir est tiré vers le haut.



2. Retirez le couvercle du réservoir d'eau propre en libérant le couvercle du réservoir d'eau propre.



3. Remplissez le réservoir avec de l'eau tiède (Max 40 °C (104 °F)) et la solution. Veillez à utiliser la bonne proportion d'eau et de solution de nettoyage pour en vous référant à l'étiquette de la solution.

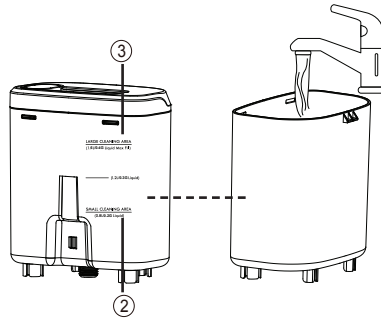
PETITE SURFACE DE NETTOYAGE - 0,8 l/0,2 gal liquide (②)

GRANDE SURFACE DE NETTOYAGE - 1,6 l/0,4 gal liquide (③)

Ne remplissez pas le réservoir d'eau propre au-delà de la ligne de remplissage maximale indiquée sur le réservoir d'eau propre.



Ne remplissez pas le réservoir avec de l'eau à plus de 40 °C (104 °F).

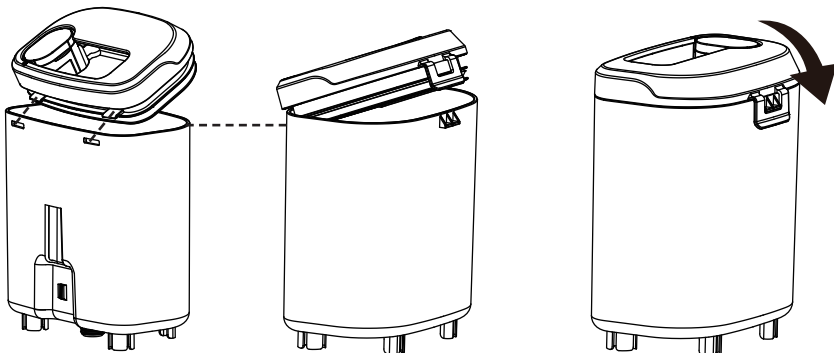


REMARQUE : Une bouteille de solution de 8 oz est fournie avec ce Nettoyeur de taches. Assurez-vous que la solution et l'eau sont bien mélangées. Une fois l'échantillon épuisé, utilisez seulement les solutions de nettoyage Vacmaster® (Achetez en ligne à www.amazon.com) prévues pour cet appareil afin d'éviter d'endommager les composants internes.

ATTENTION

La solution de nettoyage peut provoquer une irritation de la peau et des yeux. Lavez prudemment la zone affectée avec de l'eau pendant plusieurs minutes. Si l'irritation persiste, consultez immédiatement un médecin. Les personnes qui ont la peau sensible doivent porter des gants en caoutchouc. Lavez soigneusement vos mains après utilisation. Il est dangereux d'ingérer le produit. Gardez hors de la portée des enfants.

4. Insérez d'abord les languettes de verrouillage dans les fentes du réservoir d'eau propre, puis remettez le couvercle du réservoir d'eau propre en place jusqu'à ce que vous entendiez un déclic.



5. Remettez le réservoir d'eau propre en place sur l'appareil. Le loquet de sécurité s'enclenche automatiquement lorsque le réservoir d'eau propre est en place. Un clic se fait entendre lorsque l'installation est correcte.

Utilisation du Nettoyeur de taches

IMPORTANT! Avant d'utiliser le Nettoyeur de taches, passez soigneusement l'aspirateur sur la zone à nettoyer. Testez toujours une petite zone cachée pour vérifier la solidité des couleurs et la déformation des poils.

Test de solidité des couleurs - Frottez doucement la surface avec un chiffon blanc humidifié contenant une solution de nettoyage. Attendez 10 minutes et vérifiez l'élimination de la couleur à l'aide d'une serviette en papier blanche. Si la couleur change, ne l'utilisez pas.

REMARQUE : Pour éviter les taches, utilisez du plastique, du papier ciré ou du papier d'aluminium pour protéger les surfaces en bois ou en métal des éventuelles projections d'eau.

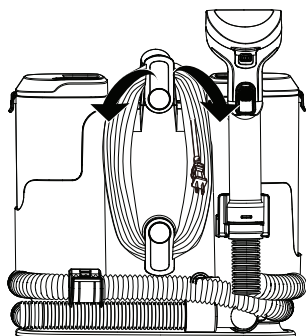
Pour protéger les planchers en bois sous les tapis, placez un matériau de protection (par exemple du plastique) sous ces derniers avant de les nettoyer.

REMARQUE : Consultez et suivez toujours les instructions d'entretien du fabricant avant d'utiliser la solution de nettoyage et le Nettoyeur de taches.

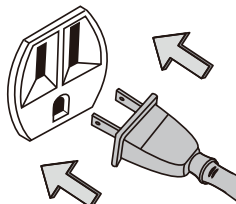
1. Déroulez le tuyau de l'appareil. Assurez-vous que la buse pour taches tenaces est bien fixée.

REMARQUE : La buse pour taches tenaces peut être utilisée pour nettoyer les taches sur les tapis, les meubles et d'autres surfaces difficiles à atteindre.

2. Tournez les crochets du cordon d'alimentation vers l'intérieur de chaque côté pour libérer le cordon d'alimentation.



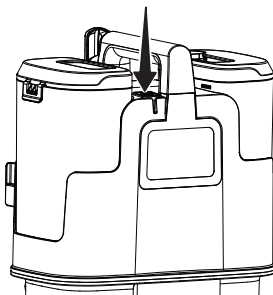
3. Libérez la fiche du cordon d'alimentation.
4. Branchez la fiche du cordon d'alimentation dans une prise située près du plancher.



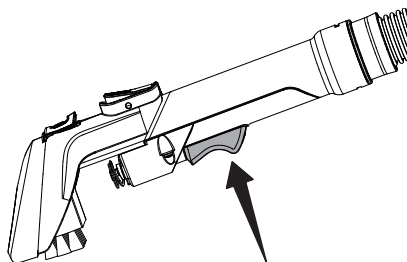
AVERTISSEMENT

Pour réduire le risque de décharge électrique, cet appareil est équipé d'une fiche polarisée (une lame est plus large que l'autre). Cette fiche ne peut être branchée dans une prise polarisée que dans un seul sens. Si la fiche ne s'insère pas complètement dans la prise, inversez-la. Si elle ne s'insère toujours pas, contactez un électricien qualifié pour qu'il installe une prise appropriée. Ne modifiez en aucun cas la fiche.

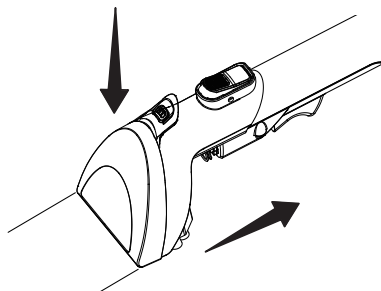
5. Appuyez sur le bouton d'alimentation pour mettre le Nettoyeur de taches en marche.



6. Tenez l'outil à environ 2,5 cm au-dessus de la tache à nettoyer. Appuyez sur la gâchette de pulvérisation pour vaporiser une quantité généreuse de solution nettoyante sur la zone souillée. Utilisez la brosse de l'outil pour frotter les taches dans un mouvement de va-et-vient.



7. Pour décoller la tache, exercez une pression vers le bas sur l'avant de l'outil de nettoyage et tirez lentement l'outil vers l'arrière pour aspirer l'excès de liquide sale. Répétez au besoin.

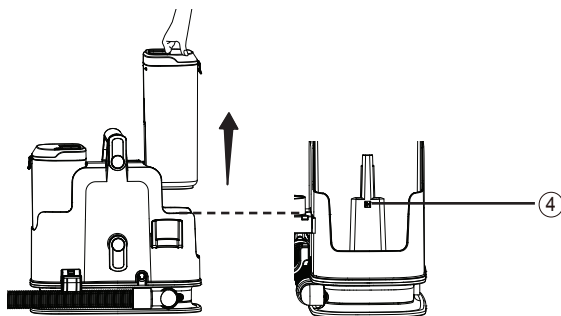


8. Videz le réservoir d'eau sale lorsque le liquide sale atteint la ligne « Max Fill » et qu'il y a une perte d'aspiration. Voir les instructions dans la section **Vidange du réservoir d'eau sale** (page 17-18).
9. Une fois le nettoyage terminé, appuyez sur le bouton d'alimentation; débranchez la fiche du cordon d'alimentation de la prise de courant.
10. Tournez les crochets du cordon d'alimentation dans la bonne position et enroulez le cordon sans le serrer autour des crochets.

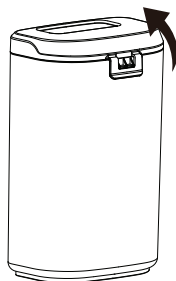
Vidange du réservoir d'eau sale

Videz le réservoir d'eau sale lorsque le liquide sale atteint la ligne « Max Fill » et qu'il y a une perte d'aspiration. Lors d'une utilisation normale, des débris peuvent s'accumuler dans le réservoir d'eau sale. Pour que le Nettoyeur de taches fonctionne correctement, rincez le réservoir d'eau sale avec de l'eau propre après chaque utilisation.

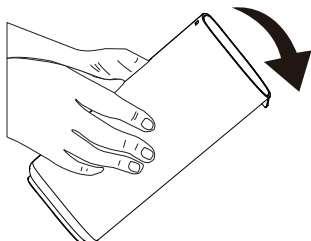
1. Soulevez le réservoir d'eau sale sur le côté de l'appareil. Un loquet de sécurité (④) est placé pour maintenir le réservoir d'eau propre en position afin d'éviter toute libération involontaire. Le loquet se déverrouille automatiquement lorsque le réservoir est tiré vers le haut.



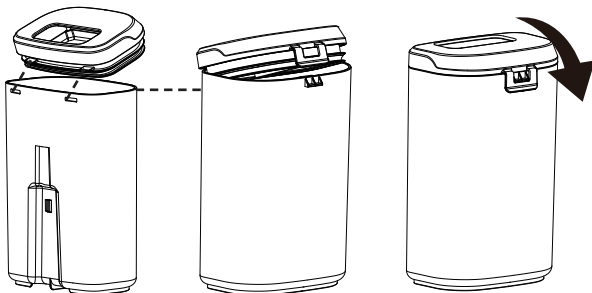
2. Retirez le couvercle du réservoir d'eau sale en libérant le couvercle du réservoir d'eau sale.



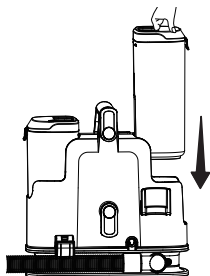
3. Videz le réservoir dans un évier ou une toilette. Rincez soigneusement le réservoir à l'eau claire. Si vous continuez à utiliser l'appareil après avoir vidé le réservoir d'eau sale, veillez à sécher l'extérieur du réservoir avant de le réinstaller.



4. Insérez d'abord les languettes de verrouillage dans les fentes du réservoir d'eau sale, puis remettez le couvercle du réservoir d'eau sale en place jusqu'à ce que vous entendiez un déclic.



5. Remettez le réservoir d'eau sale en place sur l'appareil. Le loquet de sécurité s'enclenche automatiquement lorsque le réservoir d'eau sale est en place. Un clic se fait entendre lorsque l'installation est correcte.



AVERTISSEMENT

Le bruit du moteur devient plus aigu lorsque le réservoir d'eau sale est plein ou obstrué. Arrêtez immédiatement le Nettoyeur de taches et videz le réservoir d'eau sale.

L'ENTRETIEN DU NETTOYEUR DE TACHES

ATTENTION

Pour réduire le risque de décharge électrique, éteignez et débranchez le cordon d'alimentation avant d'effectuer tout entretien ou toute maintenance sur votre aspirateur.

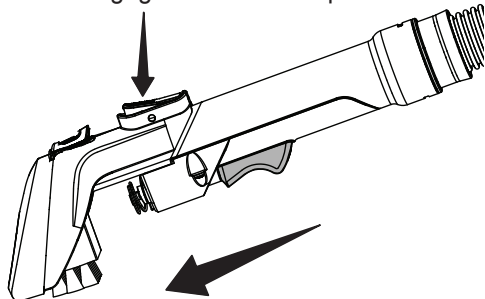
NETTOYAGE DE L'EXTÉRIEUR ET DES ACCESSOIRES

1. Éteignez et débranchez le Nettoyeur de taches. NE FAITES PAS couler d'eau sur le Nettoyeur de taches.
2. Pour nettoyer l'extérieur, ou pour réduire l'électricité statique et l'accumulation de poussière, essuyez la surface extérieure avec un chiffon propre, humide et doux. Essuyez-le après le nettoyage.

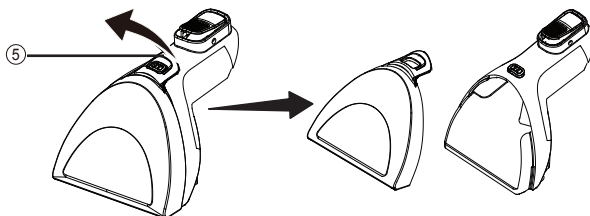
Nettoyage de la buse pour taches tenaces

Il est recommandé de nettoyer la buse anti-taches avec de l'eau après chaque utilisation.

1. Appuyez sur le bouton de dégagement de l'outil pour retirer l'accessoire du tuyau.



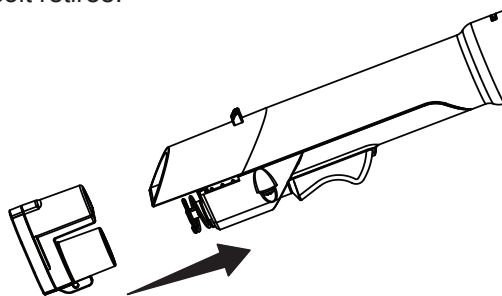
2. Tirez sur la languette d'ouverture du couvercle (⑤) située sur la buse pour retirer le couvercle.



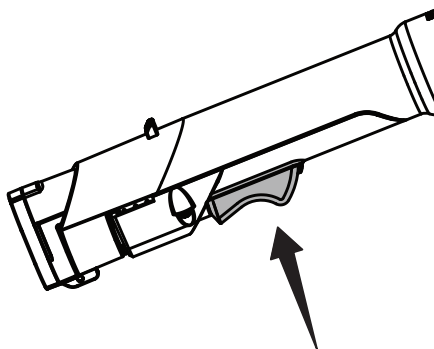
3. Rincez soigneusement à l'eau claire. Laissez les pièces sécher avant de les réinstaller.
4. Réinstallez le couvercle de la buse et remettez-le en place jusqu'à ce que vous entendiez un déclic.

Outil de nettoyage du tuyau

1. Retirez le réservoir d'eau propre et remplissez-le d'eau chaude (max. 40 °C).
2. Fixez l'outil de nettoyage au tuyau d'aspiration. Veillez à ce que la buse pour taches tenaces soit retirée.



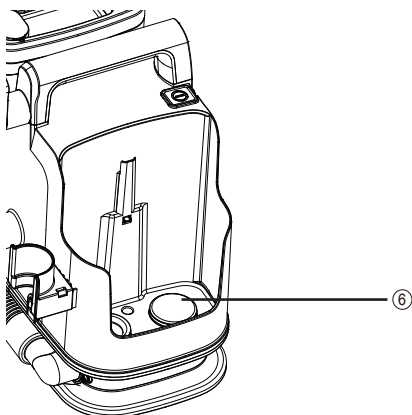
3. Assurez-vous que les réservoirs d'eau propre et d'eau sale sont bien fixés sur l'appareil.
4. Appuyez sur le bouton d'alimentation pour mettre le Nettoyeur de taches en marche et maintenez la gâchette de pulvérisation enfoncée pendant 30 secondes. L'eau propre s'engouffre dans le tuyau d'aspiration, nettoyant et éliminant efficacement la saleté et les débris piégés dans le tuyau qui peuvent s'accumuler au fil du temps. Répétez l'opération si nécessaire. Laissez l'appareil fonctionner pendant 5 à 10 secondes avant de l'éteindre.



5. Éteignez et débranchez le Nettoyeur de taches.

Nettoyage du filtre à grille

1. Retirez le réservoir d'eau sale sur le côté de l'appareil.
2. Retirez la saleté et les débris du filtre à grille (⑥) comme indiqué.



Entreposage



AVERTISSEMENT

Enrouler le cordon d'alimentation trop serré le soumet à des contraintes et risque de l'endommager. Un cordon endommagé présente un risque de décharge électrique et peut provoquer des blessures ou des dommages.

1. Remettez le tuyau d'aspiration et les accessoires en position de rangement.
2. Enroulez le cordon d'alimentation sans le serrer autour des crochets. Fixez le clip de maintien de la fiche sur le cordon d'alimentation.
3. Videz le réservoir d'eau propre (si nécessaire). Rincez-le avant de le remettre en place sur l'appareil. Ouvrez le bouchon du réservoir d'eau propre pour le laisser sécher à l'air.
4. Videz le réservoir d'eau sale, puis rincez, nettoyez et séchez-le avant de remettre l'appareil en place.
5. Rangez le Nettoyeur de taches dans un endroit sec et frais à l'intérieur.

DÉPANNAGE

Si vous rencontrez un ou plusieurs problèmes avec votre Nettoyeur de taches, consultez le tableau ci-dessous pour trouver des solutions aux problèmes de performance mineurs.



AVERTISSEMENT

Débranchez l'alimentation électrique avant de procéder à l'entretien ou au nettoyage du Nettoyeur de taches. Le non-respect de cette consigne peut entraîner une décharge électrique ou des blessures.

| PROBLÈME | CAUSE POSSIBLE | SOLUTION |
|---|--|---|
| Le Nettoyeur de taches ne fonctionne pas. | La prise de courant est débranchée. | Branchez fermement l'appareil sur une prise de courant appropriée. |
| | Prise de courant défectueuse. | Vérifier l'état de la prise murale avec un appareil ou une lampe en bon état. Assurez-vous que la fiche du cordon d'alimentation est bien branchée dans une prise électrique. |
| | Le moteur est endommagé. | Faites vérifier la pièce endommagée par du personnel qualifié ou contactez le service après-vente 1-866-384-8432. |
| Mauvaise performance de ramassage. | Le réservoir d'eau sale n'est pas bien installé. | Vérifiez que le réservoir d'eau sale est correctement installé. Assurez-vous qu'il est installé en place. |
| | Le réservoir d'eau sale est plein. | Videz le réservoir d'eau sale. |
| | Le tuyau d'aspiration est obstrué. | Nettoyez le tuyau. |
| | La vanne à flotteur est activée. | Videz le réservoir d'eau sale. |

| PROBLÈME | CAUSE POSSIBLE | SOLUTION |
|---|--|---|
| De l'eau s'échappe du Nettoyeur de taches. | Le réservoir d'eau sale est plein. | Videz le réservoir d'eau sale. |
| | Le réservoir d'eau sale n'est pas bien installé. | Vérifiez que le réservoir d'eau sale est correctement installé. Assurez-vous qu'il est installé en place. |
| | Le réservoir d'eau propre n'est pas bien installé. | Vérifiez que le réservoir d'eau propre est correctement installé. Assurez-vous qu'il est installé en place. |
| Il n'y a pas de pulvérisation de solution. | Le réservoir d'eau propre est vide. | Remplissez le réservoir d'eau propre. |
| | Le réservoir d'eau propre n'est pas bien installé. | Vérifiez que le réservoir d'eau propre est correctement installé. Assurez-vous qu'il est installé en place. |
| La buse du tuyau ne pulvérise pas après avoir rempli le réservoir d'eau propre. | De l'air est emprisonné dans la pompe et le tuyau. | Mettez le Nettoyeur de taches en marche. Si le tuyau ne pulvérise pas, amorcez la pompe en abaissant le tuyau jusqu'au plancher et maintenez la gâchette enfoncée pendant une minute. |
| Le bruit du moteur devient aigu. | Le réservoir d'eau sale est plein. | Videz le réservoir d'eau sale. |
| | Le tuyau d'aspiration est obstrué. | Nettoyez le tuyau. |
| | Le flotteur du réservoir d'eau sale a été activé. | Videz et nettoyez le réservoir d'eau sale. |